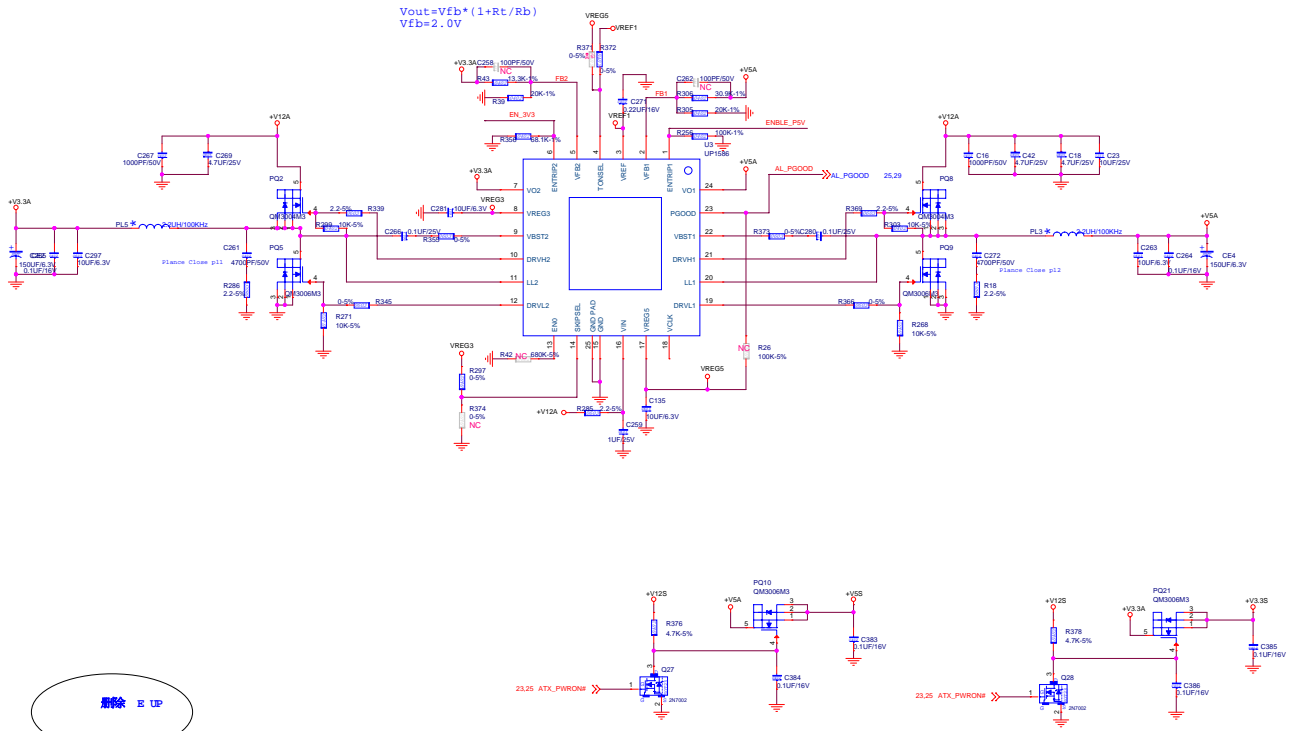


$$V_{out} = V_{fb} * (1 + R_t / R_b)$$

$$V_{fb} = 2.0V$$



删除 E UP