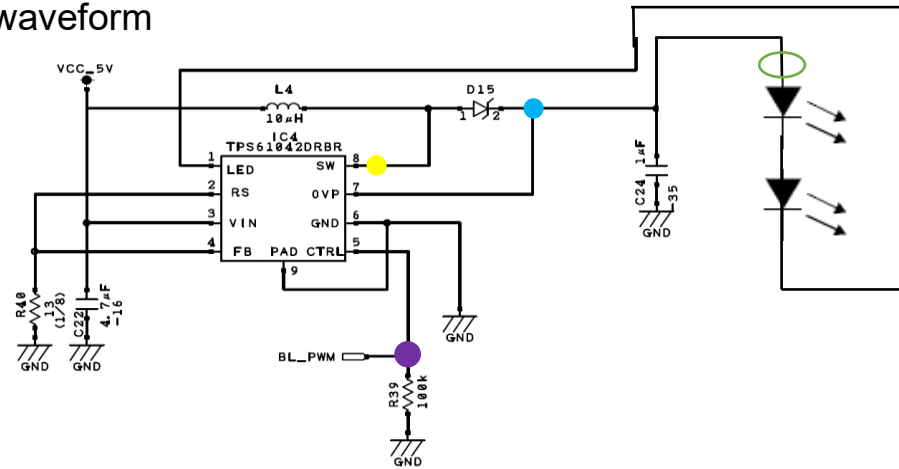


We show the signal waveform in below.

- Measuring points for waveform



- ● ● Check point for voltage
- Check point for current

	PWM waveform ●	SW voltage ●	Vout voltage ●	Iout current ○
On time duty 1% at 20KHz				No current is flowing.
On time duty 20% at 20KHz				