

TALEMA ELECTRONIC (INDIA) Pvt.Ltd.,

Door No 221,I & II Floor,K.J.Plaza,Meyanoor Main Road,Opp to Vidyamandir School
Salem-636 004,Tamil Nadu,India.

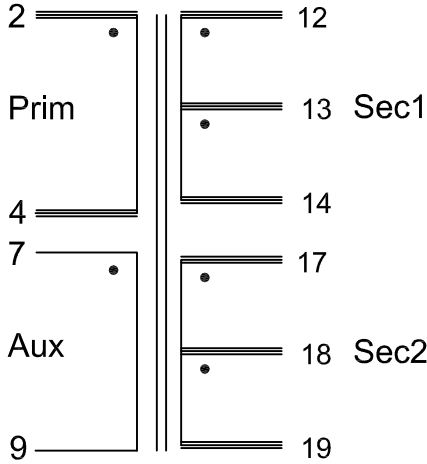
Email : sales-talema@talemaindia.net
Web : www.talemaindia.com

Phone: 91-427-2433106 / 2433115



Customer	L&T Technology Services Ltd	Page : 01 of 01
Product	Half Bridge Transformer	
Part No	30783	Date : 13.07.2023
Customer Part No	-	

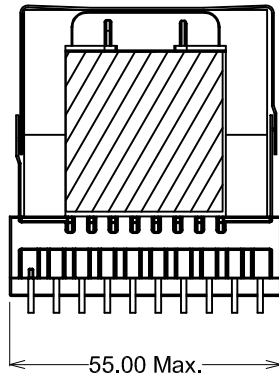
Schematic



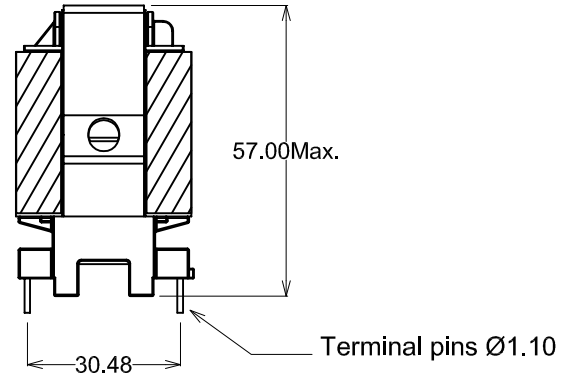
Electrical Specifications @25°C

- Inductance L_p : Prim = $600\mu H \pm 10\%$ @10KHz/100mV
- Leakage Inductance L_L : Prim (Sec s/c) = $20\mu H$ typ. @ 100KHz/100mV
- DCR : Prim = $400m\Omega$ typ.
- DCR : Aux = $550m\Omega$ typ.
- DCR : Sec1 (12-13)=(13-14) = $3m\Omega$ typ.
- DCR : Sec2 (17-18)=(18-19) = $3m\Omega$ typ.
- Turns Ratio&Polarity : Prim:Aux:Sec1(12-13):(13-14):Sec2(17-18):(18-19) = 1:0.038:0.038:0.038 &"+"ve" Polarity
- Dielectric Voltage b/n (Prim/Aux - Sec1, Sec2) = $3.0KV_{rms}$ / 50Hz
- Input Voltage : 800Vdc
- Output1 : 15V-0-15V / 20A
- Output2 : 15V-0-15V / 20A
- Aux Output : 15V/50mA
- Switching Frequency : 100kHz ~ 168.8KHz
- Topology: Half bridge LLC

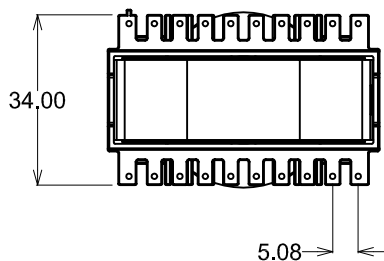
Mechanical Specifications



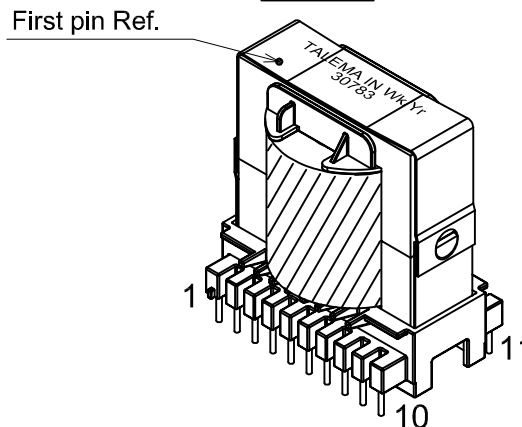
FRONT VIEW



SIDE VIEW



BOTTOM VIEW



ISOMETRIC VIEW

Unit : mm	Dimension tolerance : $\pm 0.50mm$ (Unless specified)	Pin pitch tolerance : $\pm 0.20mm$
-----------	-------------------------------------------------------	------------------------------------

	Rev.	Description	Date	Name
	3			
	2			
	1			
	0	Initial Release	8.5.2023	J.Jaganathan
DRAFT COPY			ISSUE : 1	REV : 0