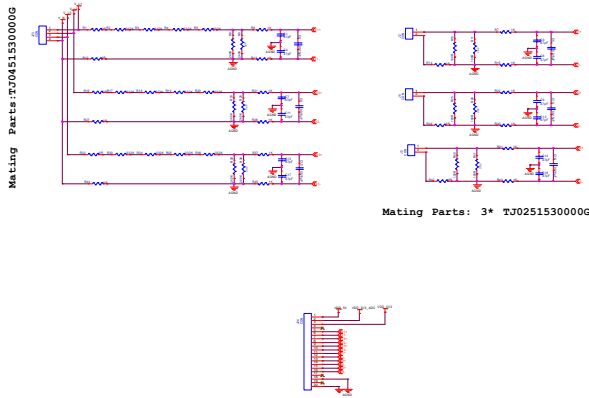
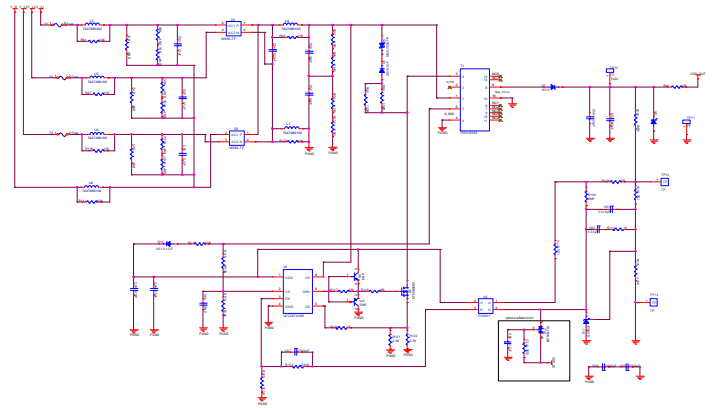


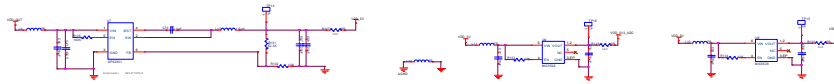
3- Ph Inputs & Coil Inputs



5V,2A SMPS



REGULATOR's



Rev	Date	By	Appr
01			