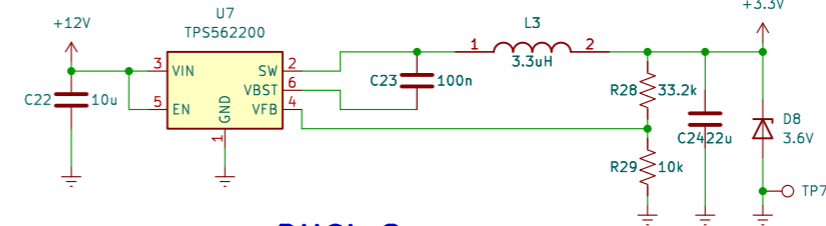
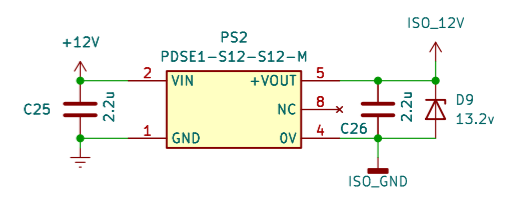


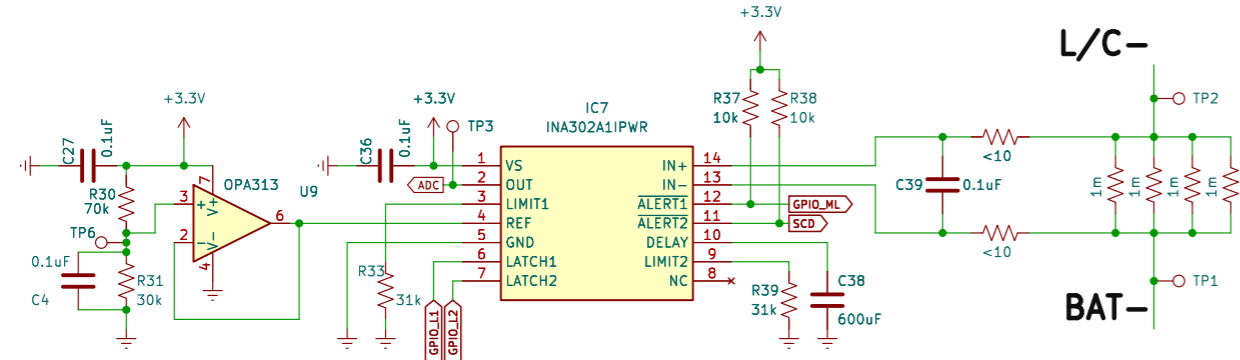
BUCK_1



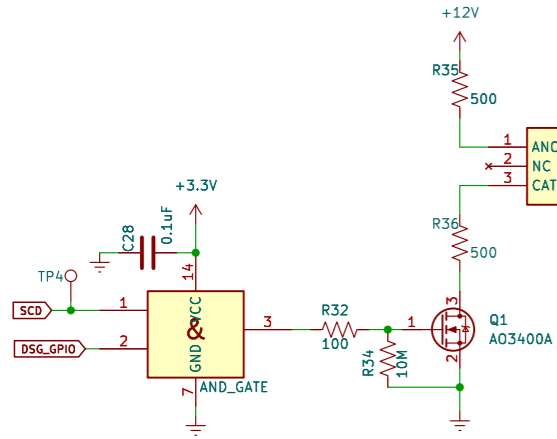
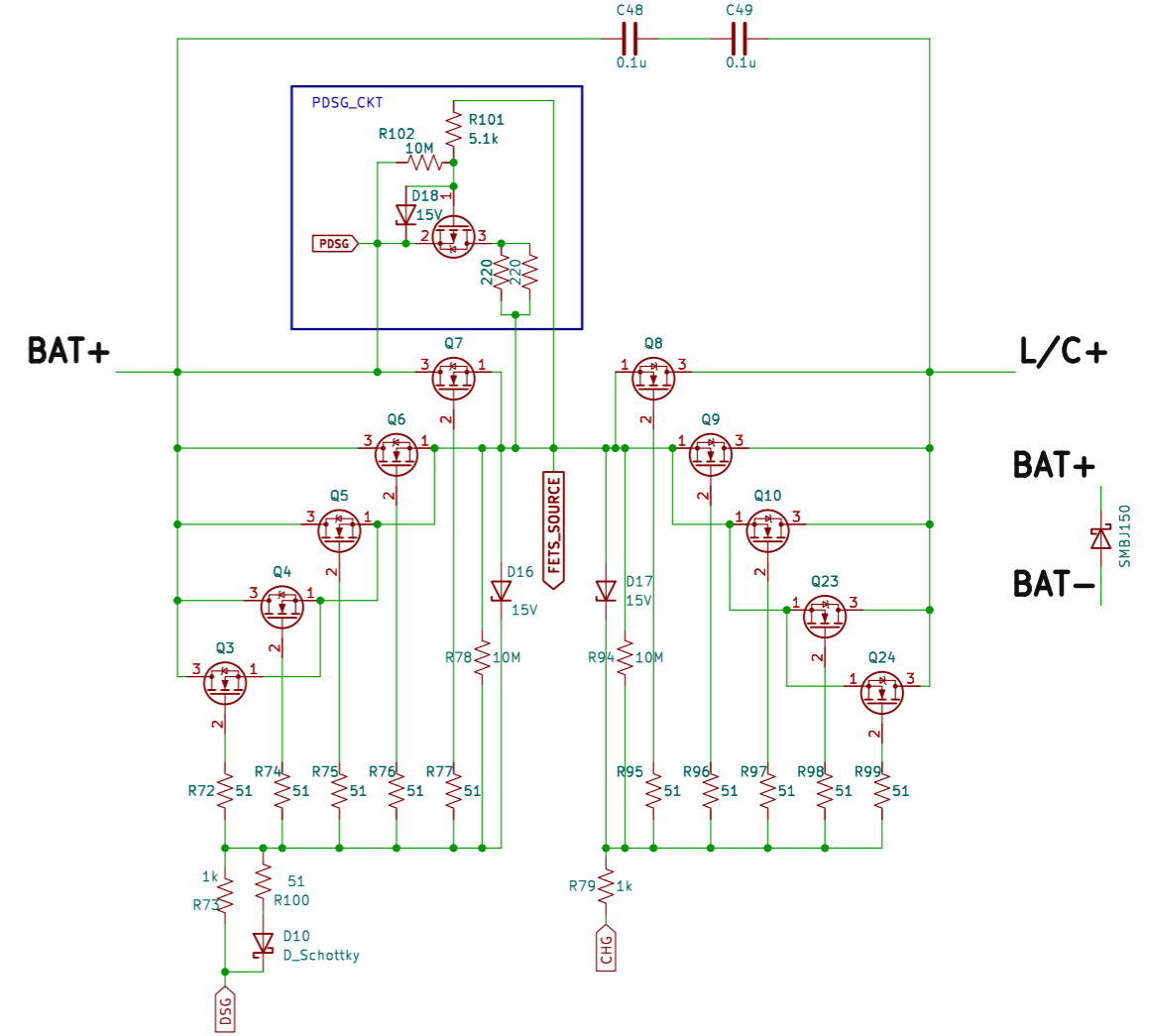
BUCK_2



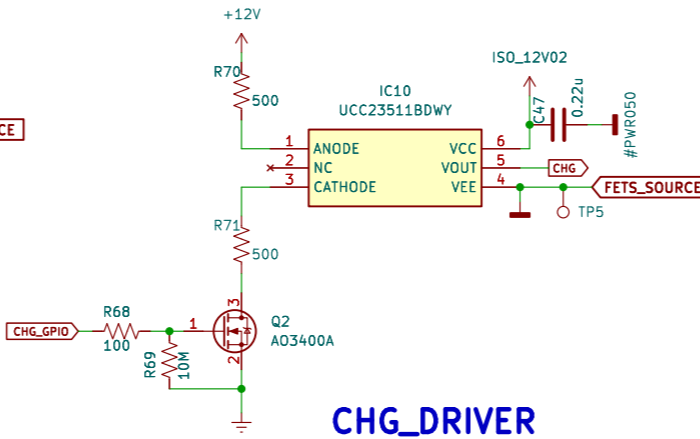
ISO_PS1



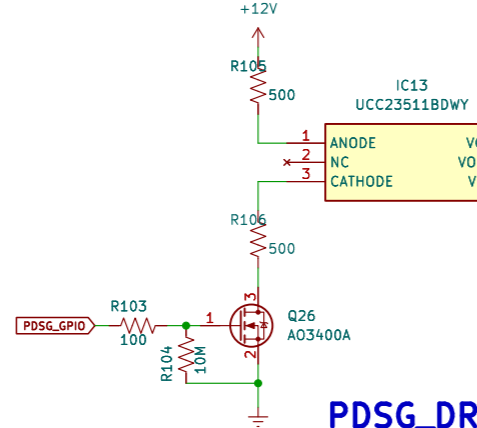
CURRENT_SENSE & SCD_DETECT



DSG_DRIVER



CHG_DRIVER



PDSG_DRIVER

Sheet: /Untitled Sheet_1/		
File: untitled.kicad_sch		
Title:		
Size: A3	Date:	Rev:
KiCad E.D.A. kicad 7.0.5	Id: 2/3	