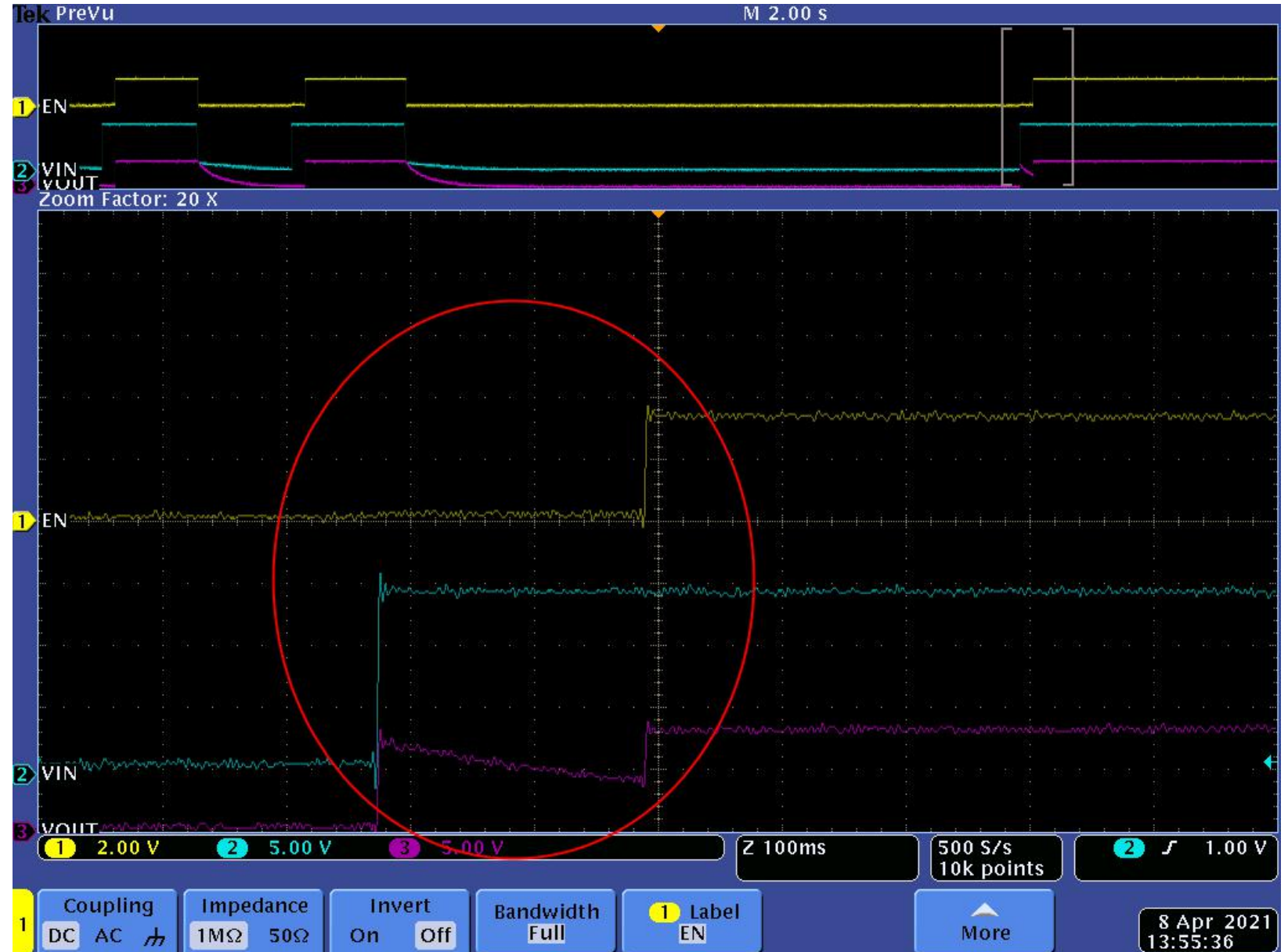
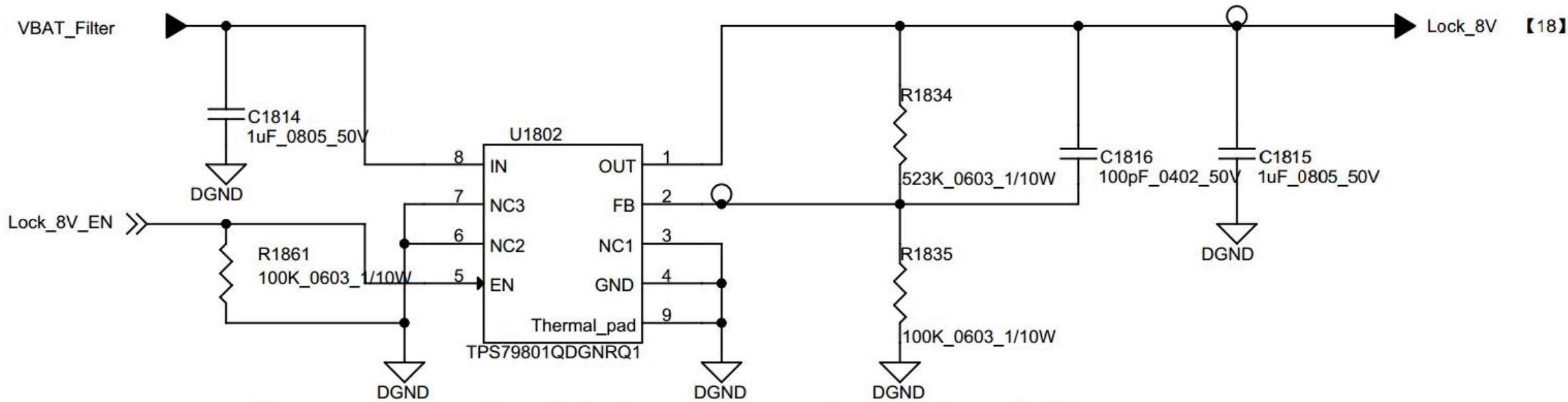


VOUT is existed before EN enabled, can you explain?





$$V_{OUT} = [(523 + 100) / 100] * 1.275 + (523 / 5000) = 8V$$