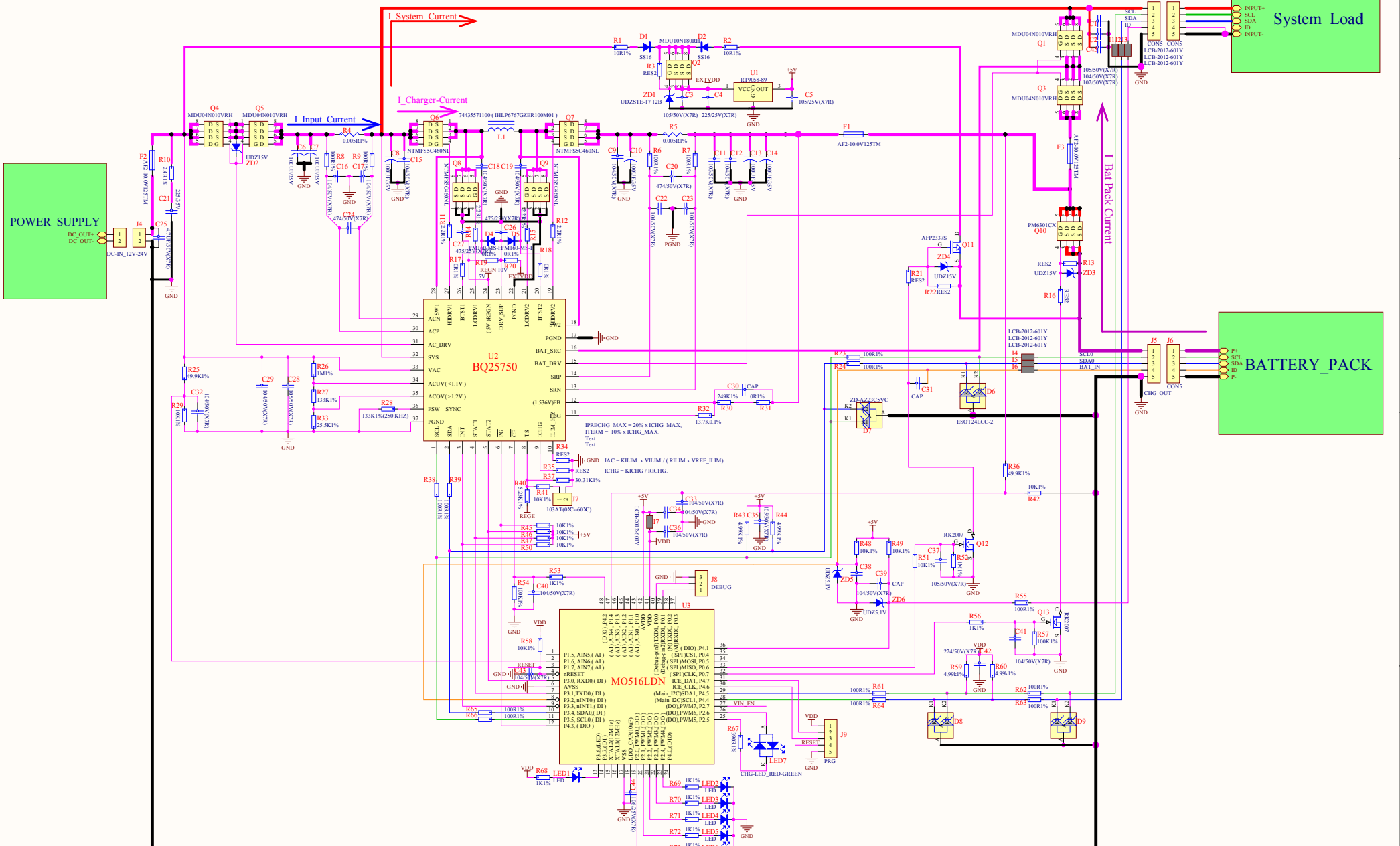


Battery Pack Charge & System Power Path Control



Title		
Size	Number	Revision
A2		
Date	2024/11/7	Sheet of
File	D:\HW\SCU1\Scdboc	Drawn By