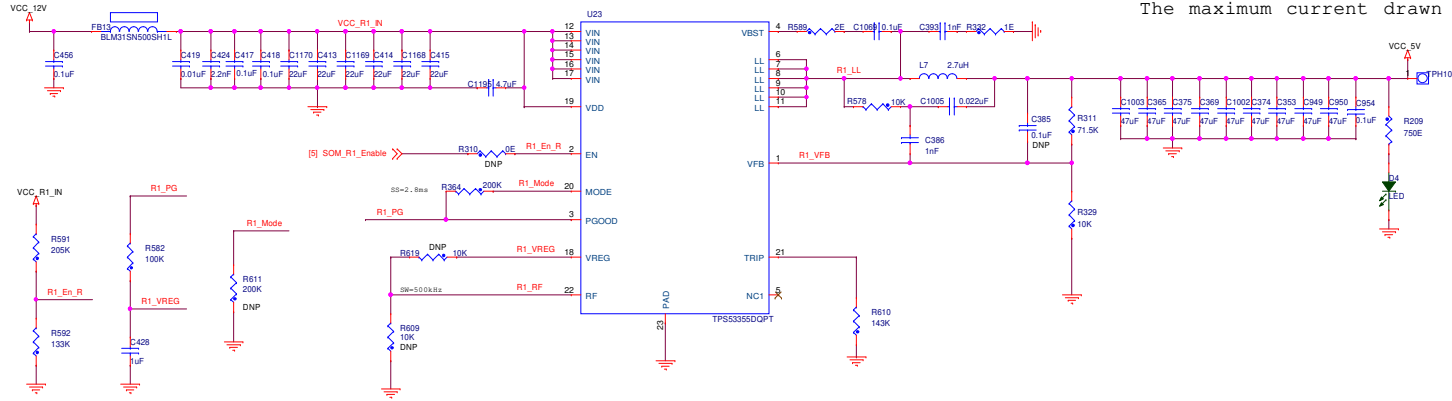


12V to 5V 30A regulator

The inductor selected for this is EXL1V0703-2R7-R

The maximum current drawn will be 5-7A



File	<Title>	Rev	<Rev Code>
Size	Document Number		
C	<Doc>		
Date:	Friday, January 30, 2020	Sheet	1 of 1