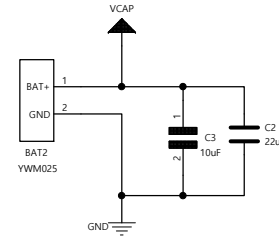
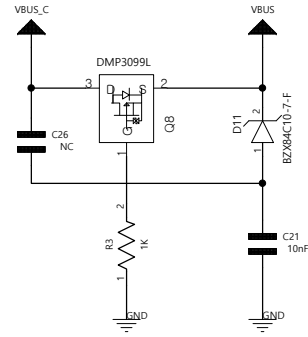
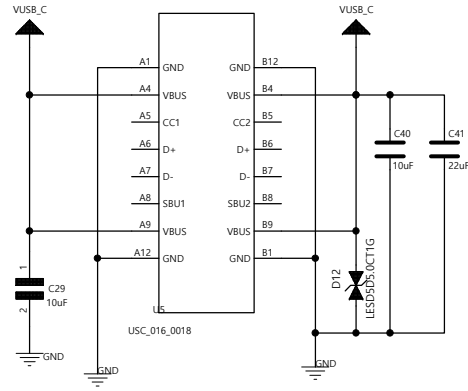
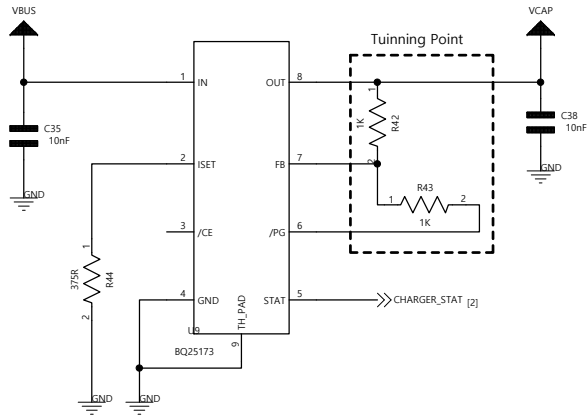


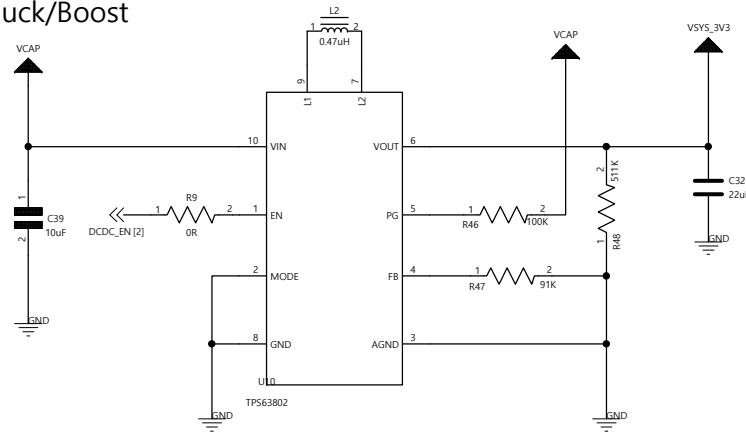
### USB C TYPE & RVP



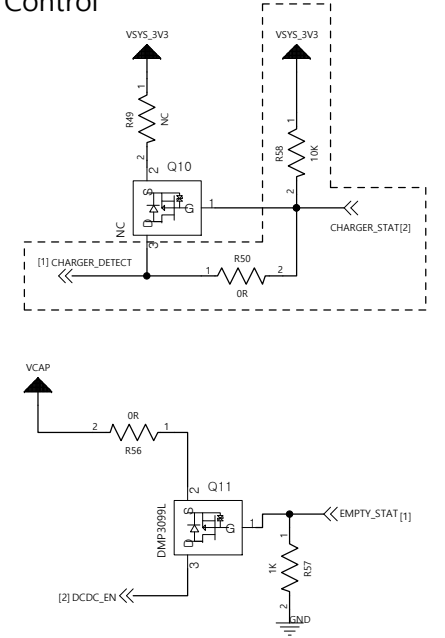
### Charger



### Buck/Boost



### Control



DRAWN:	DATED:	COMPANY:			
CHECKED:	DATED: 2022. 01. 03	TITLE:			
QUALITY CONTROL:	DATED:	CODE:	SIZE: A3	DRAWING NO:	REV: 1.0
RELEASED:	DATED:	SCALE:			SHEET: 2 OF 4