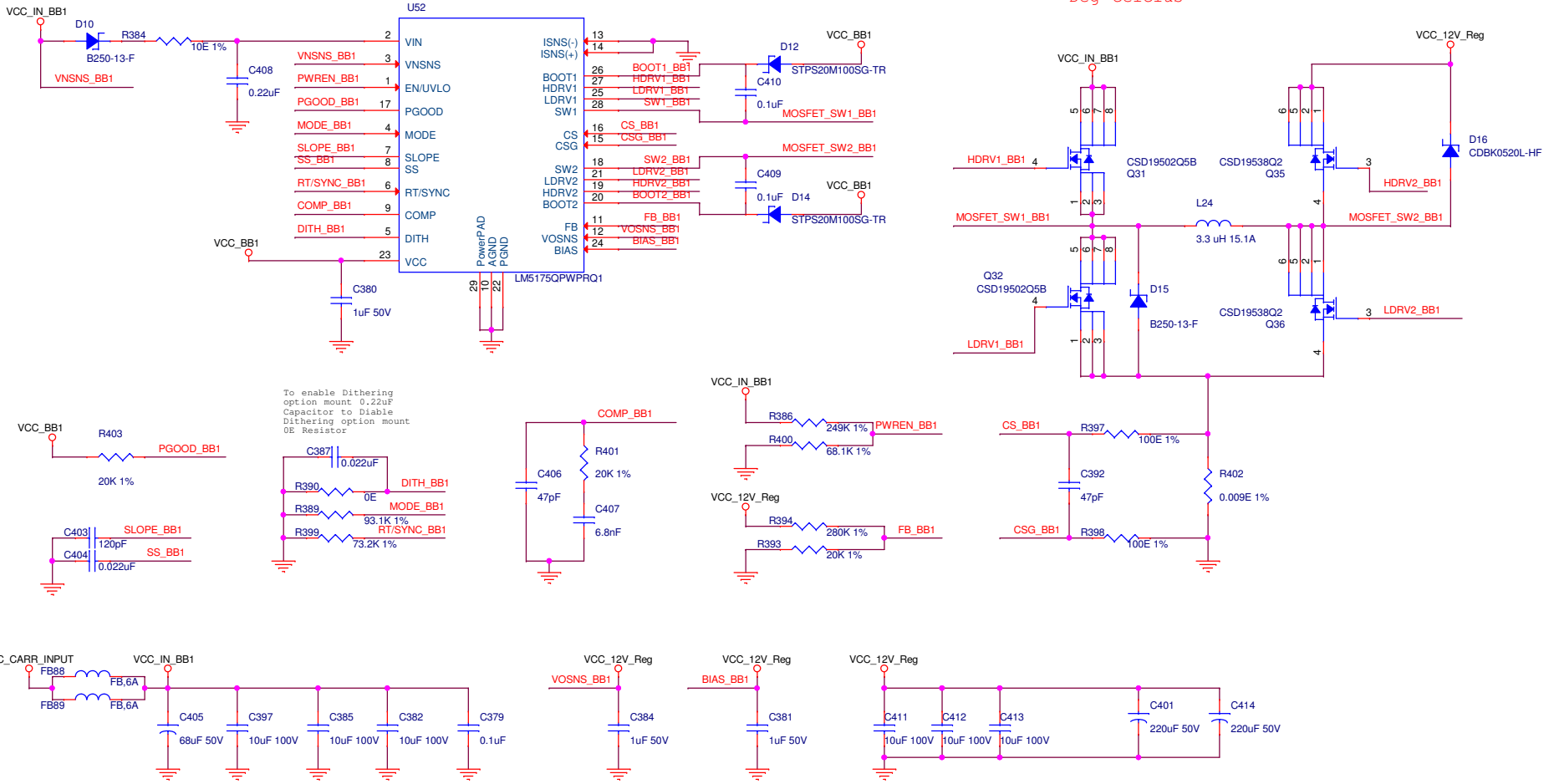


# BUCK - BOOST Regulator #1

## Specification :-

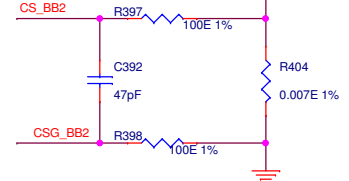
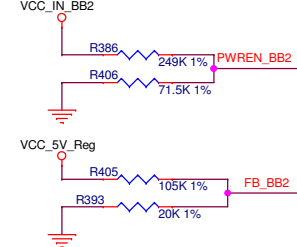
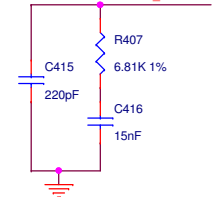
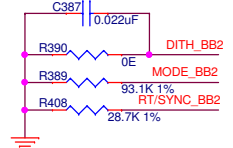
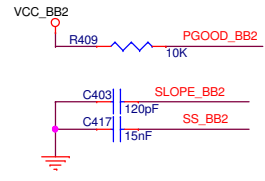
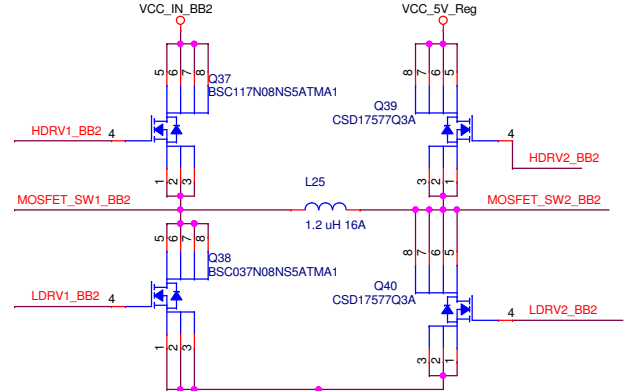
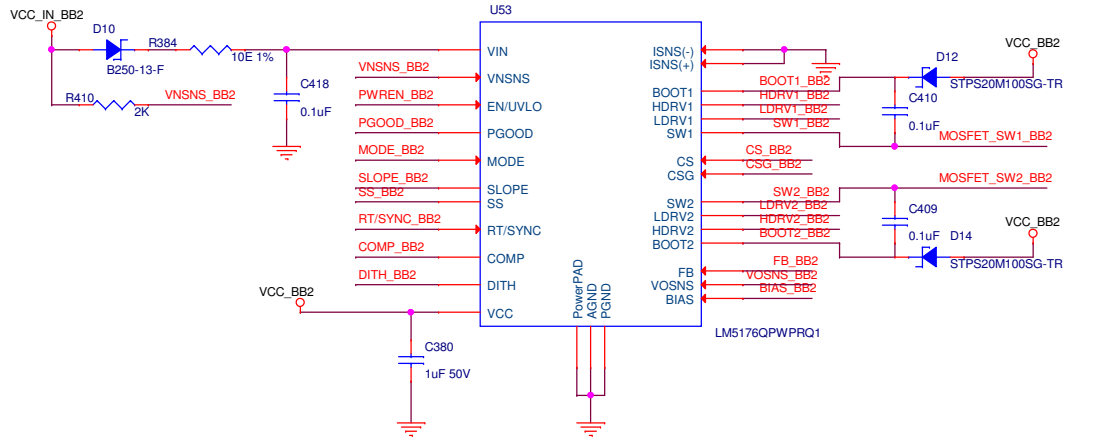
Voltage Input :- 9 to 36 Volt  
 Output Voltage :- 12V Output  
 Current :- 6A Ambient Temp :- 65 Deg celcius



## BUCK - BOOST Regulator #2

### Specification :-

Voltage Input :- 9 to 36 Volt Output  
 Voltage :- 5V Output Current :- 10A  
 Ambient Temp :- 65 Deg celcius



To enable Dithering option mount 0.22uF Capacitor to Disable Dithering option mount 0E Resistor

