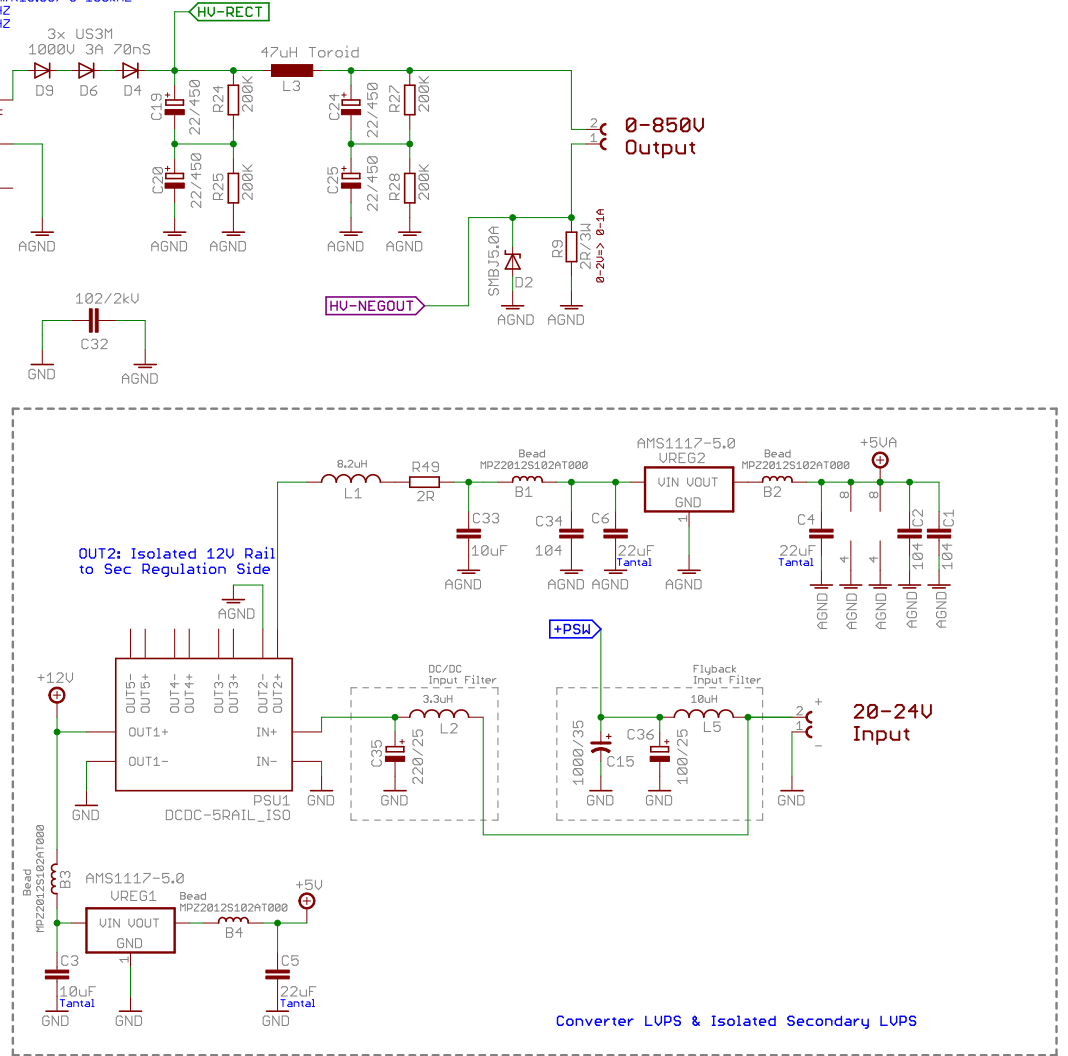
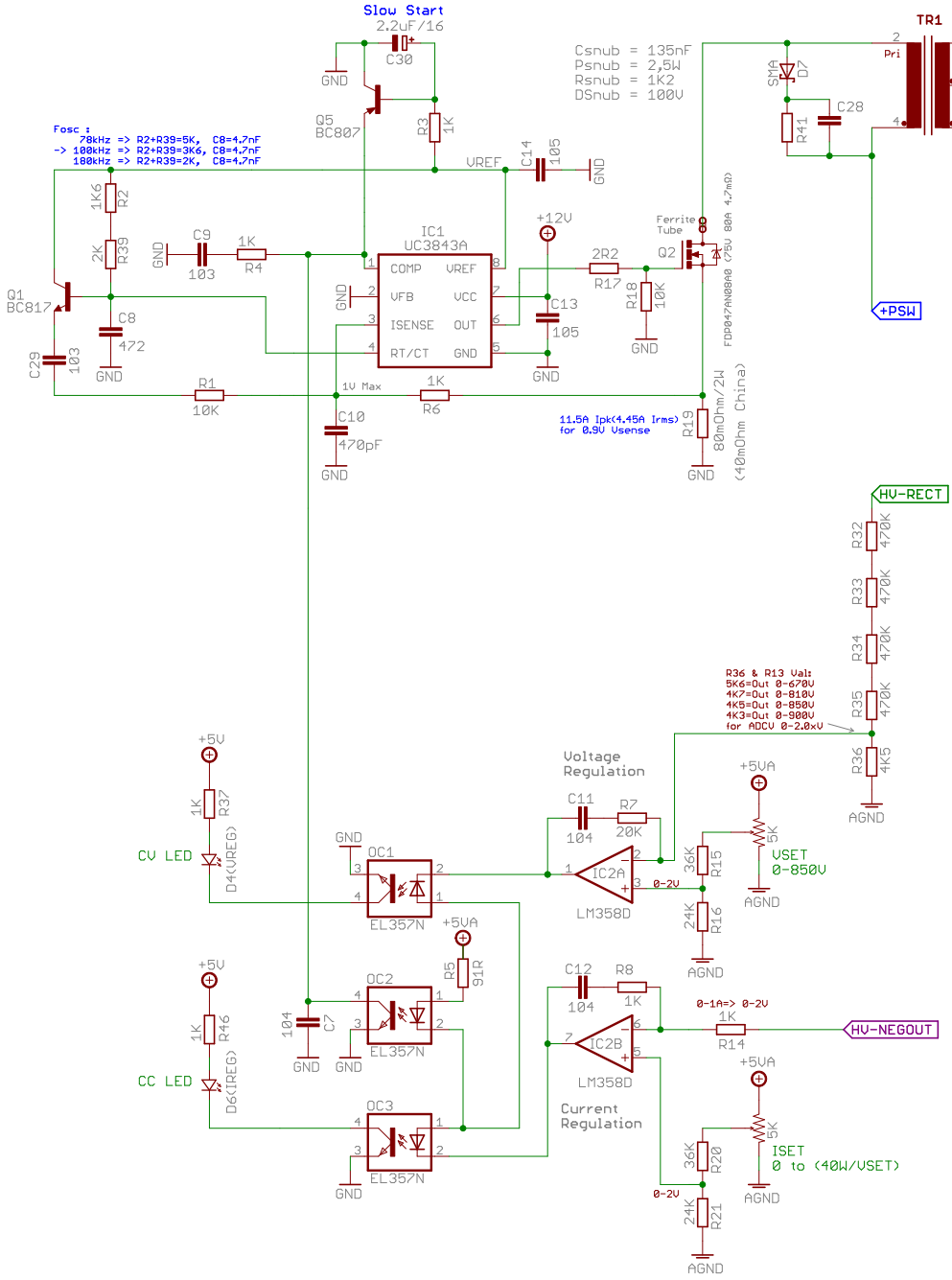


TR1 Data:
 Core: EFD25/13/9
 PriTurns(2-4): 10 Bifilar (2x0.5mm Wire)
 SecTurnsTotal(7-9): 300 with MiddleTap(8) (2x150)
 SecTurns(7-8): 3 Layer of 50Turns with 0.3mm Wire
 + Primary Winding
 SecTurns(9-8): 3 Layer of 50Turns with 0.3mm Wire

Primary Inductance Pins2-4 (Lpri): 10.4uH(10.47) @ 10kHz, 11.34uH(11.39) @ 100kHz
 Secondary Inductance Total Pins7-9 (Sec): 9.35mH(9.33) @ 10kHz, 10.22mH(10.33) @ 100kHz
 Secondary Inductance1 Pins8-9 (Sec1): 2.28mH @ 10kHz, 2.51mH @ 100kHz
 Secondary Inductance2 Pins7-8 (Sec2): 2.44mH @ 10kHz, 2.70mH @ 100kHz
 Leakage Inductance(Lk): 0.22uH @ 10kHz, 0.222uH @ 100kHz



Flyback Data:
 Input Voltage: 20-24V
 Output Power: 40W
 ConvFreq: 100kHz
 Output Voltage: 0-850V
 Output Current: Output Voltage Dependent = 40W/Out Voltage