

1 2 3 4 5 6

A

TriacSwitchAnalog

File: TSAnalog.kicad_sch

TriacSwitchPIC

File: TSPic.kicad_sch

TriacSwitchSupply

File: TSSupply.kicad_sch

B

C

D

4 5 6

SillyCon

Sheet: /

File: TriacSwitch.kicad_sch

Title: Triac Switch

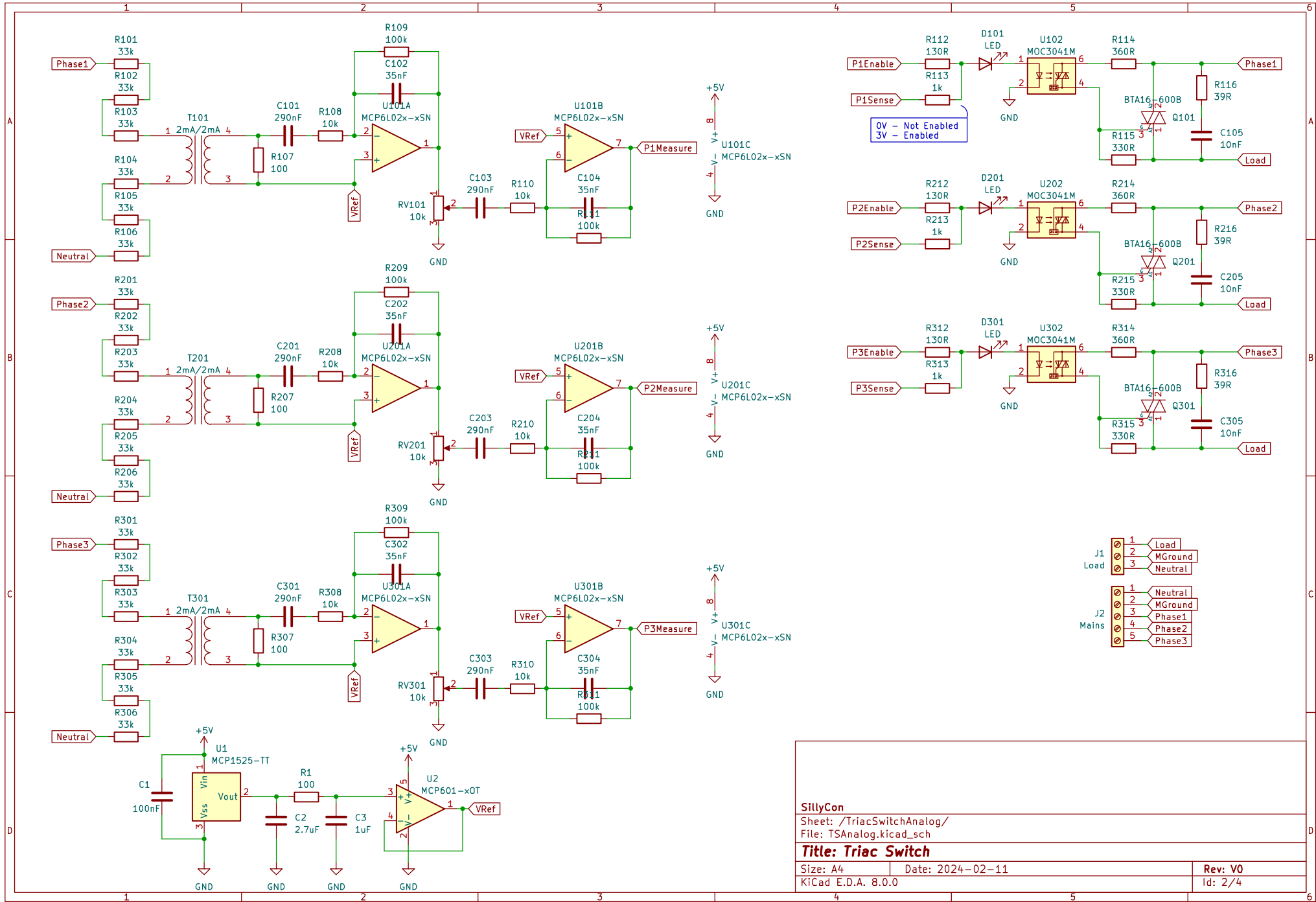
Size: A4

Date: 2024-02-11

Rev: V0

KiCad E.D.A. 8.0.0

Id: 1/4



SillyCon

Sheet: /TriacSwitchAnalog/
File: TSAAnalog.kicad_sch

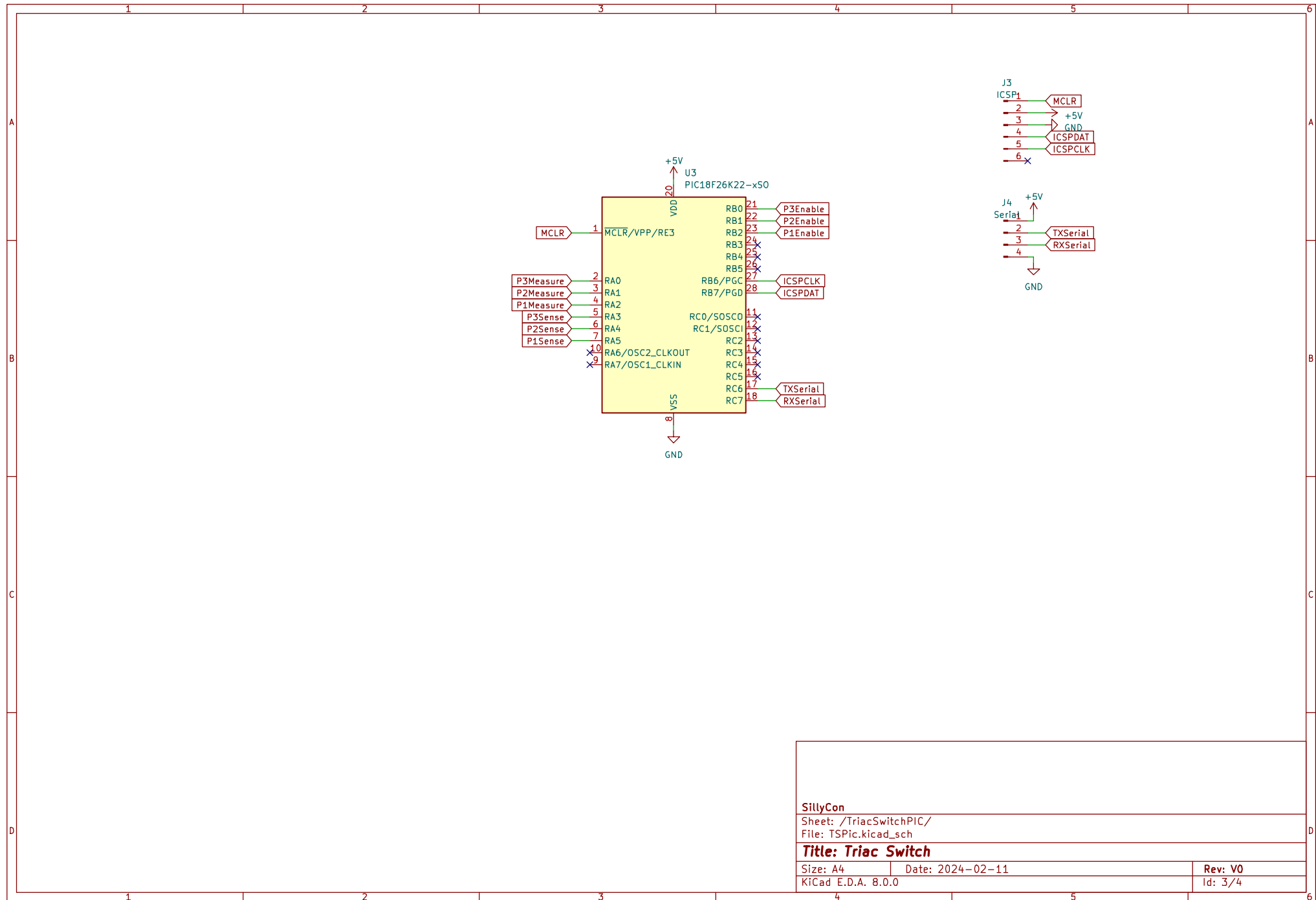
Title: Triac Switch

Size: A4 Date: 2024-02-11

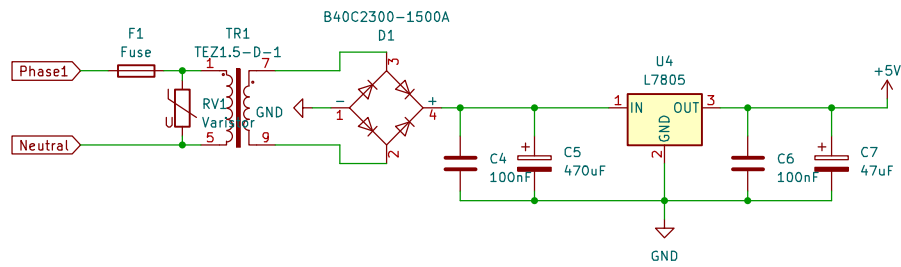
Rev: V0

KiCad E.D.A. 8.0.0

Id: 2/4



SillyCon
 Sheet: /TriacSwitchPIC/
 File: TSPic.kicad_sch
Title: Triac Switch
 Size: A4 | Date: 2024-02-11 | Rev: V0
 KiCad E.D.A. 8.0.0 | Id: 3/4



SillyCon

Sheet: /TriacSwitchSupply/
File: TSSupply.kicad_sch

Title: Triac Switch

Size: A4 Date: 2024-02-11

Rev: V0

KiCad E.D.A. 8.0.0

Id: 4/4