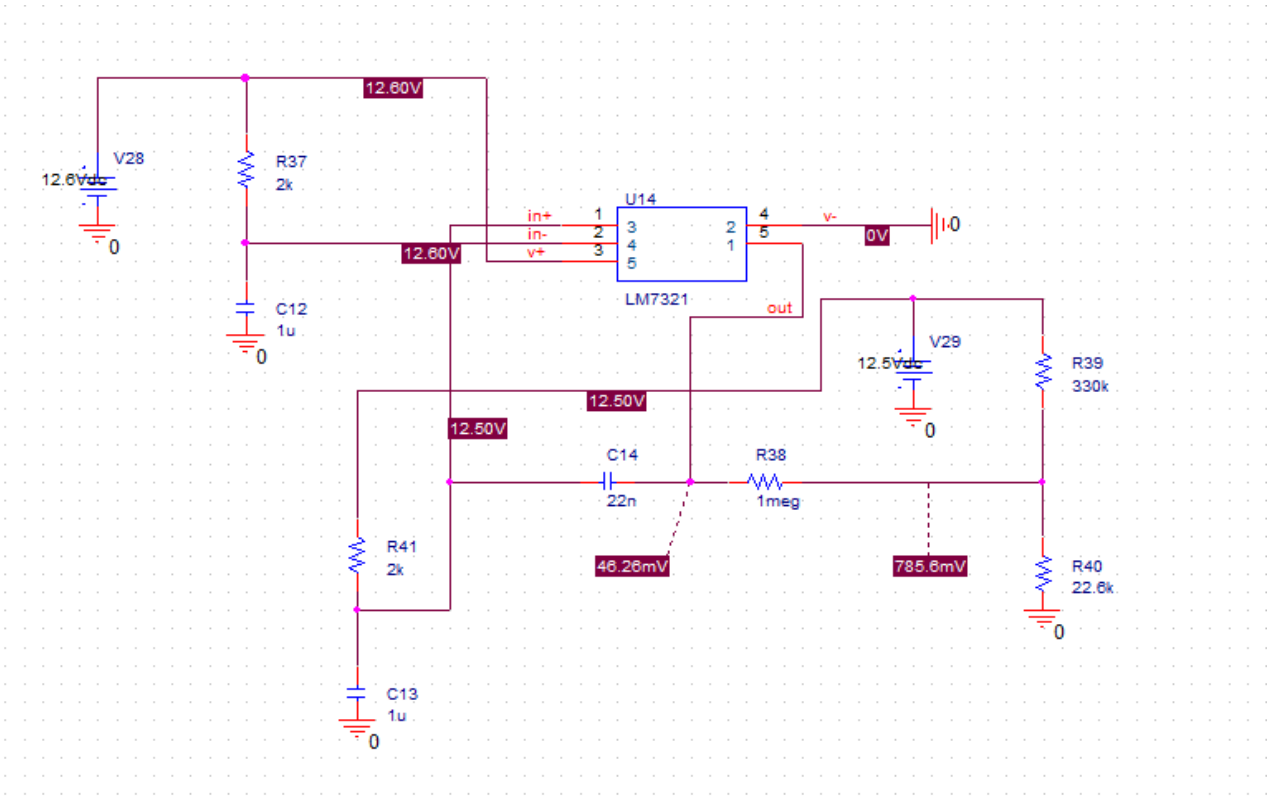


Case 1. Master output voltage(12.6V) and Slave output voltage(12.5V)



Case 2. Master output voltage(12.6V) and Slave output voltage(12.7V)

