

Net Class
 ClassName: 60VIn

VS VIN1
 ABSW1 ABI
 AGATE1 AGI
 CDSW1 CB1
 CGATE1 CGI

Net Class
 ClassName: 54Vout

SECSW1
 FFSW1 FB1
 FHGATE1 FHI
 FESW1 EB1
 EHGATE1 EHI
 SNF1 SNE1

Net Class
 ClassName: 10Vprim

REF1 REF1
 VREF
 EANI
 COMP1
 EN1
 DELAB1
 DELCD1
 DELEF1
 TMIN1
 RT
 RSUM
 DCM1
 REF1
 R47
 DCM1
 PWRGND

U5 UCC28950PW
 VREF 24
 GND 23
 VDD 22
 OUTA 21
 OUTB 20
 OUTC 19
 OUTD 18
 OUTE 17
 OUTF 16
 SYNC 15
 CS 14
 ADEL 13
 ADELEF1
 R43
 R44
 C38
 R46
 R49
 PWRGND

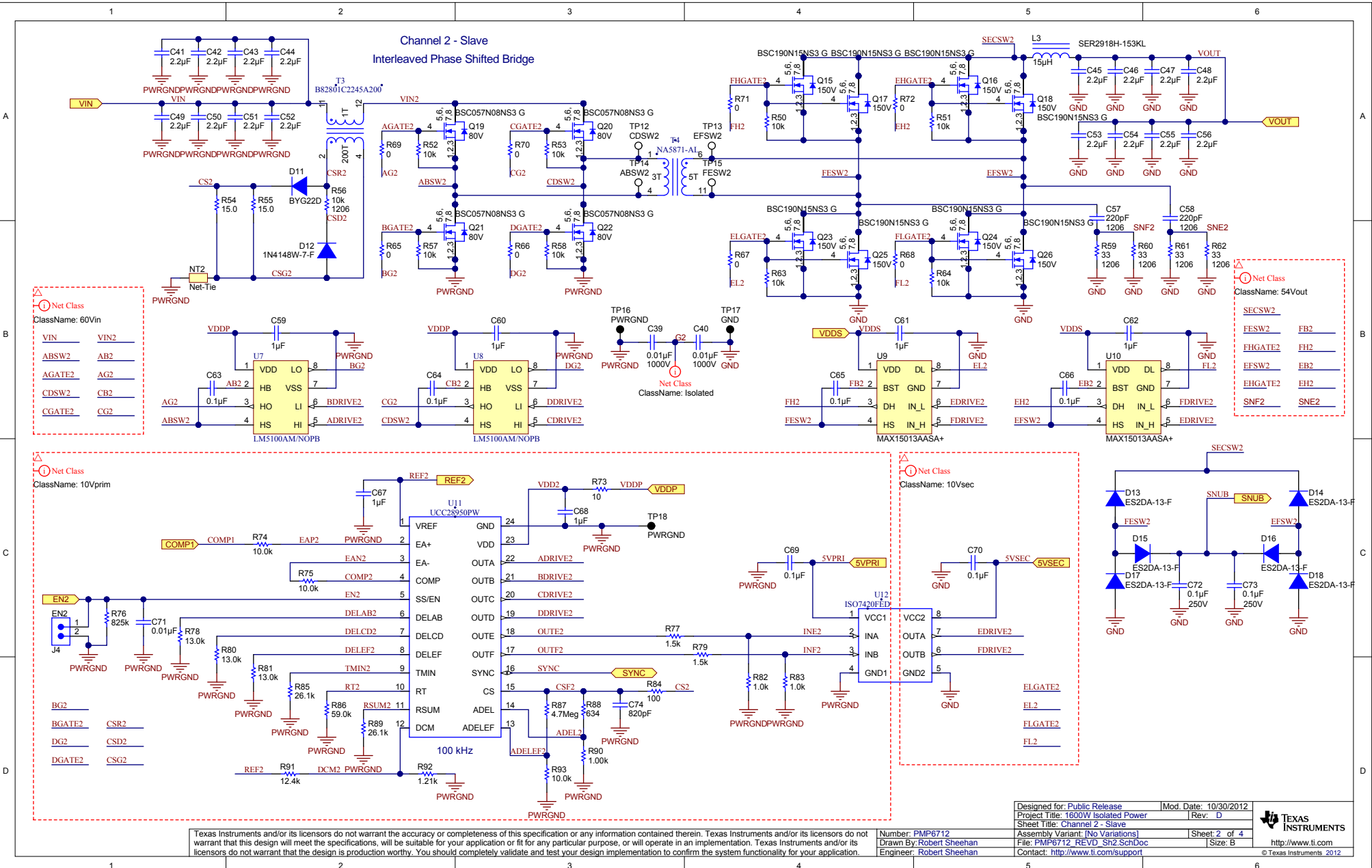
U6 ISO7420FED
 VPR1 1
 VZDP 1
 VVPR1 5VPRI
 VVSEC 5VSEC
 VCC1 1
 VCC2 8
 OUTA 7
 OUTB 6
 OUTC 5
 GND2 5
 PWRGND

Net Class
 ClassName: 10Vsec

VDD5
 VZDS
 VVSEC
 VCC2
 OUTA
 OUTB
 OUTC
 GND2

SECSW1
 D5 ES2DA-13-F
 SNUB SNUB
 D6 ES2DA-13-F
 FFSW1
 D7 ES2DA-13-F
 D8 ES2DA-13-F
 D9 ES2DA-13-F
 D10 ES2DA-13-F
 C36 0.1µF 250V
 C37 0.1µF 250V
 GND

Note:
 Add external input capacitor at J2 VS to PWRGND
 150 µF 100V aluminum electrolytic for input filter
 damping.

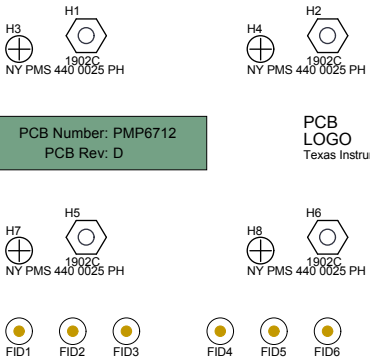


Texas Instruments and/or its licensors do not warrant the accuracy or completeness of this specification or any information contained therein. Texas Instruments and/or its licensors do not warrant that this design will meet the specifications, will be suitable for your application or fit for any particular purpose, or will operate in an implementation. Texas Instruments and/or its licensors do not warrant that the design is production worthy. You should completely validate and test your design implementation to confirm the system functionality for your application.

Number: PMP6712
 Drawn By: Robert Sheehan
 Engineer: Robert Sheehan

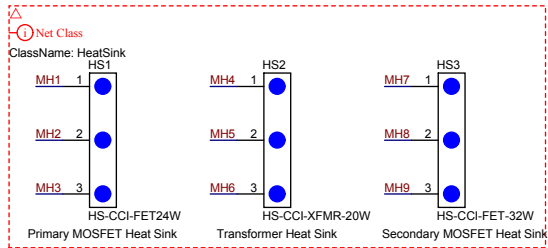
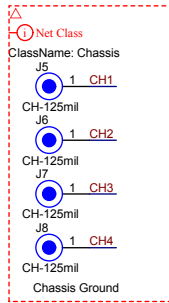
Designed for: Public Release	Mod. Date: 10/30/2012
Project Title: 1600W Isolated Power	Rev: D
Sheet Title: Channel 2 - Slave	Sheet 2 of 4
Assembly Variant: [No Variations]	Size: B
File: PMP6712_REV D_SchDoc	
Contact: http://www.ti.com/support	



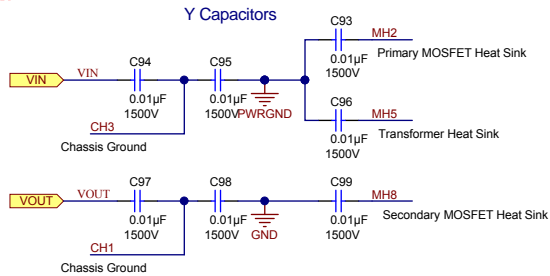


PCB Number: PMP6712
PCB Rev: D

PCB LOGO
Texas Instruments



Revision History	
Revision	Notes
C	R. Sheehan 7/28/2012
D	Increase clearance for top and bottom pads. Fix master EA- & COMP connection. Change LM5017 Ron value. 9/5/2012



Texas Instruments and/or its licensors do not warrant the accuracy or completeness of this specification or any information contained therein. Texas Instruments and/or its licensors do not warrant that this design will meet the specifications, will be suitable for your application or fit for any particular purpose, or will operate in an implementation. Texas Instruments and/or its licensors do not warrant that the design is production worthy. You should completely validate and test your design implementation to confirm the system functionality for your application.

Number: PMP6712
Drawn By: Robert Sheehan
Engineer: Robert Sheehan

Designed for: Public Release	Mod. Date: 9/5/2012
Project Title: 1600W Isolated Power	Rev: D
Sheet Title: Hardware & Heat Sinks	
Assembly Variant: [No Variations]	Sheet: 4 of 4
File: PMP6712_REV D_Sht4.schDoc	Size: B
Contact: http://www.ti.com/support	



© Texas Instruments 2012

IMPORTANT NOTICE

Texas Instruments Incorporated and its subsidiaries (TI) reserve the right to make corrections, enhancements, improvements and other changes to its semiconductor products and services per JESD46, latest issue, and to discontinue any product or service per JESD48, latest issue. Buyers should obtain the latest relevant information before placing orders and should verify that such information is current and complete. All semiconductor products (also referred to herein as "components") are sold subject to TI's terms and conditions of sale supplied at the time of order acknowledgment.

TI warrants performance of its components to the specifications applicable at the time of sale, in accordance with the warranty in TI's terms and conditions of sale of semiconductor products. Testing and other quality control techniques are used to the extent TI deems necessary to support this warranty. Except where mandated by applicable law, testing of all parameters of each component is not necessarily performed.

TI assumes no liability for applications assistance or the design of Buyers' products. Buyers are responsible for their products and applications using TI components. To minimize the risks associated with Buyers' products and applications, Buyers should provide adequate design and operating safeguards.

TI does not warrant or represent that any license, either express or implied, is granted under any patent right, copyright, mask work right, or other intellectual property right relating to any combination, machine, or process in which TI components or services are used. Information published by TI regarding third-party products or services does not constitute a license to use such products or services or a warranty or endorsement thereof. Use of such information may require a license from a third party under the patents or other intellectual property of the third party, or a license from TI under the patents or other intellectual property of TI.

Reproduction of significant portions of TI information in TI data books or data sheets is permissible only if reproduction is without alteration and is accompanied by all associated warranties, conditions, limitations, and notices. TI is not responsible or liable for such altered documentation. Information of third parties may be subject to additional restrictions.

Resale of TI components or services with statements different from or beyond the parameters stated by TI for that component or service voids all express and any implied warranties for the associated TI component or service and is an unfair and deceptive business practice. TI is not responsible or liable for any such statements.

Buyer acknowledges and agrees that it is solely responsible for compliance with all legal, regulatory and safety-related requirements concerning its products, and any use of TI components in its applications, notwithstanding any applications-related information or support that may be provided by TI. Buyer represents and agrees that it has all the necessary expertise to create and implement safeguards which anticipate dangerous consequences of failures, monitor failures and their consequences, lessen the likelihood of failures that might cause harm and take appropriate remedial actions. Buyer will fully indemnify TI and its representatives against any damages arising out of the use of any TI components in safety-critical applications.

In some cases, TI components may be promoted specifically to facilitate safety-related applications. With such components, TI's goal is to help enable customers to design and create their own end-product solutions that meet applicable functional safety standards and requirements. Nonetheless, such components are subject to these terms.

No TI components are authorized for use in FDA Class III (or similar life-critical medical equipment) unless authorized officers of the parties have executed a special agreement specifically governing such use.

Only those TI components which TI has specifically designated as military grade or "enhanced plastic" are designed and intended for use in military/aerospace applications or environments. Buyer acknowledges and agrees that any military or aerospace use of TI components which have **not** been so designated is solely at the Buyer's risk, and that Buyer is solely responsible for compliance with all legal and regulatory requirements in connection with such use.

TI has specifically designated certain components as meeting ISO/TS16949 requirements, mainly for automotive use. In any case of use of non-designated products, TI will not be responsible for any failure to meet ISO/TS16949.

Products

Audio	www.ti.com/audio
Amplifiers	amplifier.ti.com
Data Converters	dataconverter.ti.com
DLP® Products	www.dlp.com
DSP	dsp.ti.com
Clocks and Timers	www.ti.com/clocks
Interface	interface.ti.com
Logic	logic.ti.com
Power Mgmt	power.ti.com
Microcontrollers	microcontroller.ti.com
RFID	www.ti-rfid.com
OMAP Applications Processors	www.ti.com/omap
Wireless Connectivity	www.ti.com/wirelessconnectivity

Applications

Automotive and Transportation	www.ti.com/automotive
Communications and Telecom	www.ti.com/communications
Computers and Peripherals	www.ti.com/computers
Consumer Electronics	www.ti.com/consumer-apps
Energy and Lighting	www.ti.com/energy
Industrial	www.ti.com/industrial
Medical	www.ti.com/medical
Security	www.ti.com/security
Space, Avionics and Defense	www.ti.com/space-avionics-defense
Video and Imaging	www.ti.com/video

TI E2E Community

e2e.ti.com