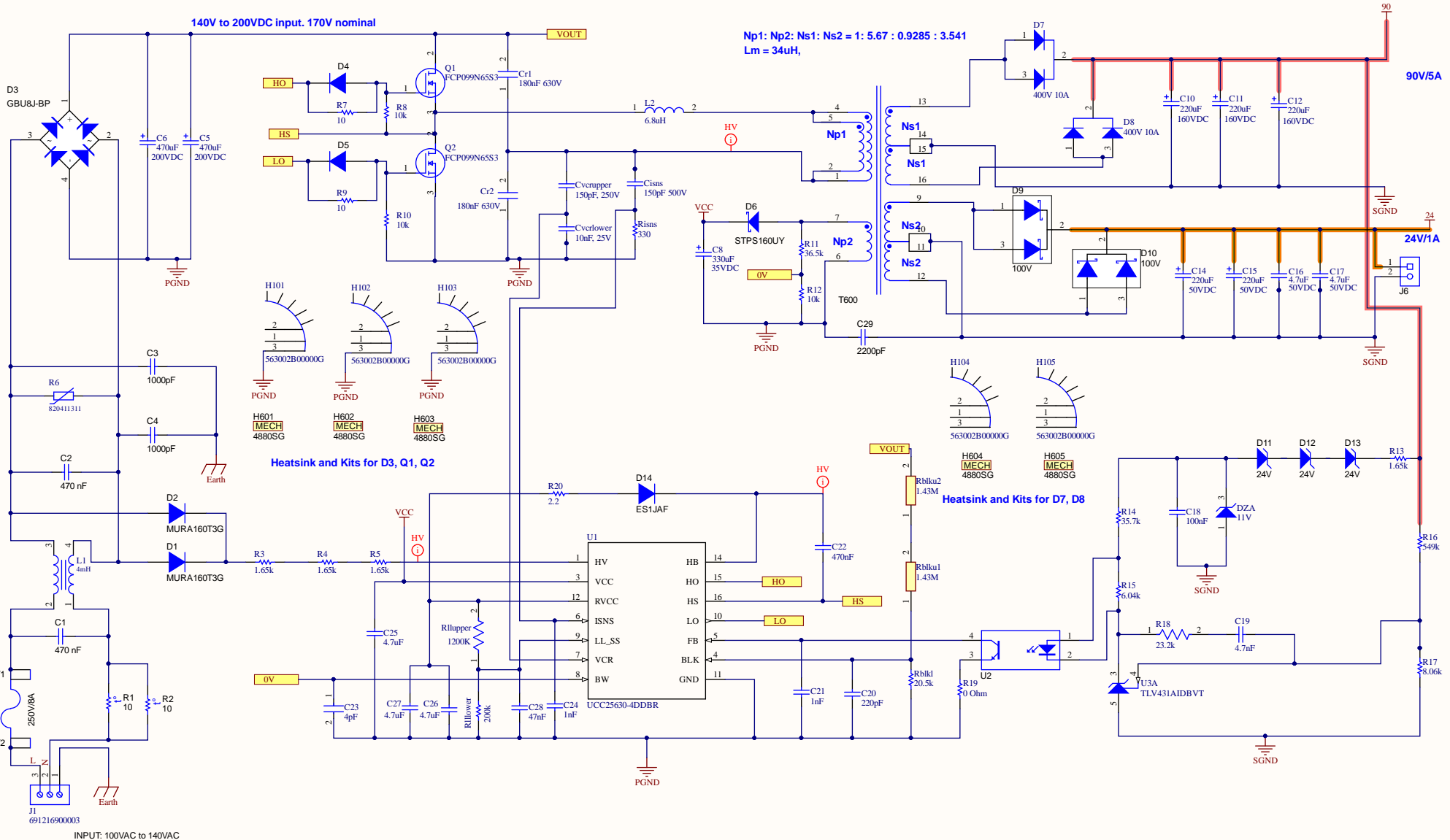


140V to 200VDC input. 170V nominal

Np1: Np2: Ns1: Ns2 = 1: 5.67 : 0.9285 : 3.541
Lm = 34uH,

Heatsink and Kits for D3, Q1, Q2

Heatsink and Kits for D7, D8



Title		
Size	Number	Revision
A3		
Date:	2/5/2021	Sheet of
File:	C:\Dhruv\Power Supply_rev1_SchDoc	Drawn By: