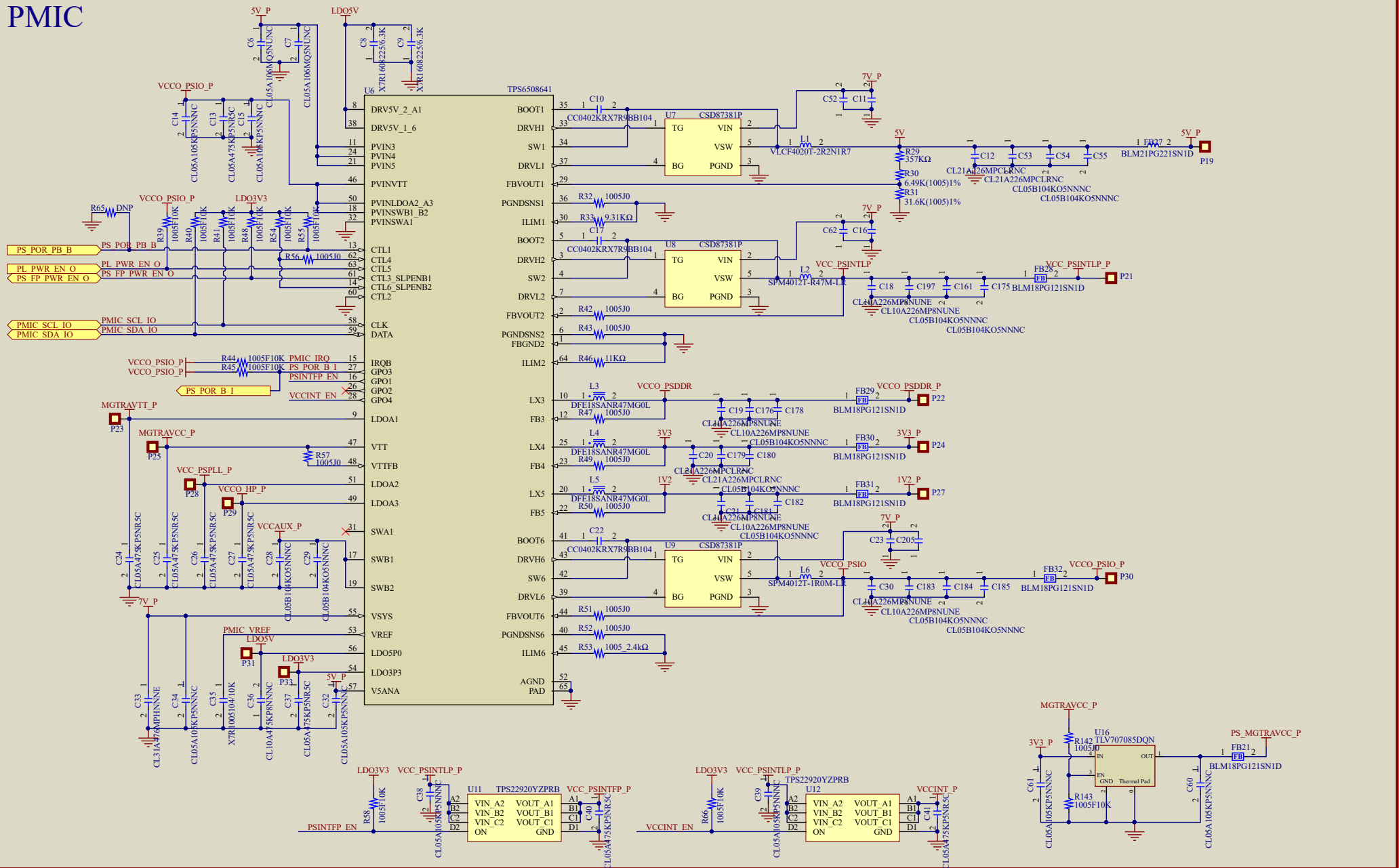


PMIC



Title		
Size	Number	Revision
A3		
Date:	2020-02-19	Sheet of
File:	C:\Users\...VC MAIN PMIC.SCHDOC	Drawn By: