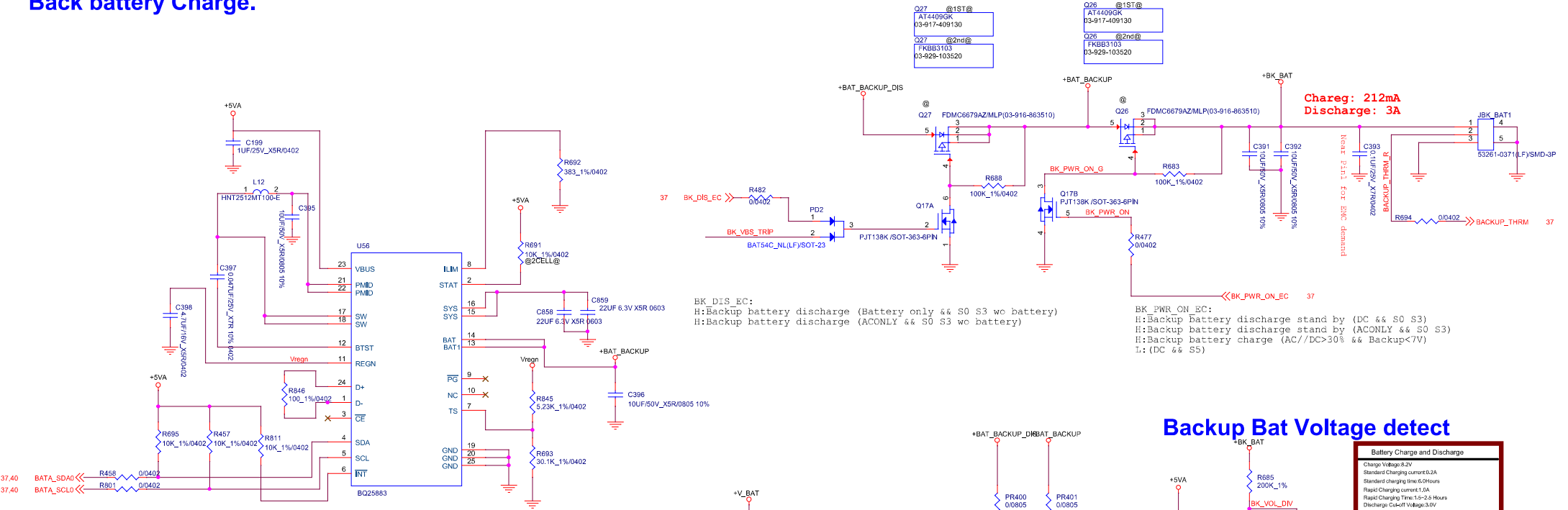


Function ID Configuration Note

MB Ver.	BD0	BD1	BD2
LT320 R1.0:	0	0	0
LT320 R1.1:	0	0	1
LT320 R2.0:	0	1	0
LT320 R2.1:	0	1	1

check +3VA to +3VS leakage

Back battery Charge.

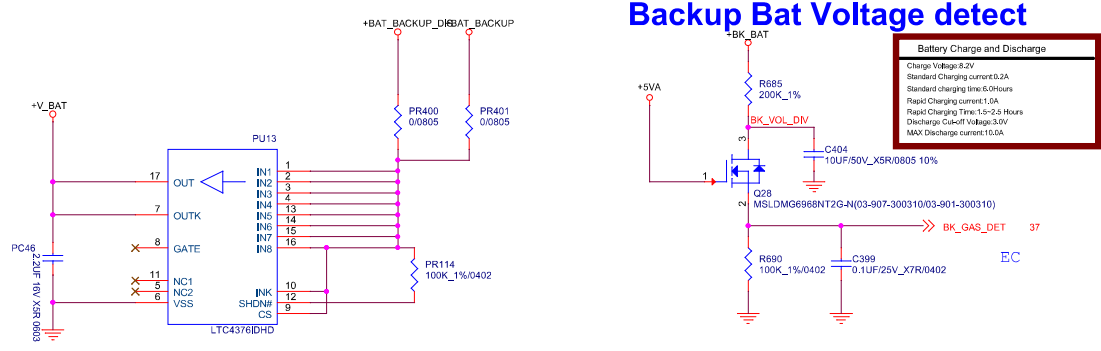


BK_DIS_EC:
 H: Backup battery discharge (Battery only && S0 S3 w/o battery)
 H: Backup battery discharge (ACONLY && S0 S3 w/o battery)

BK_PWR_ON_EC:
 H: Backup battery discharge stand by (DC && S0 S3)
 H: Backup battery discharge stand by (ACONLY && S0 S3)
 H: Backup battery charge (AC//DC>30% && Backup<7V)
 I: (DC && S5)

Charg: 212mA
 Discharge: 3A

Backup Bat Voltage detect



Battery unplug detect Setting Clsoe to VBAT out

