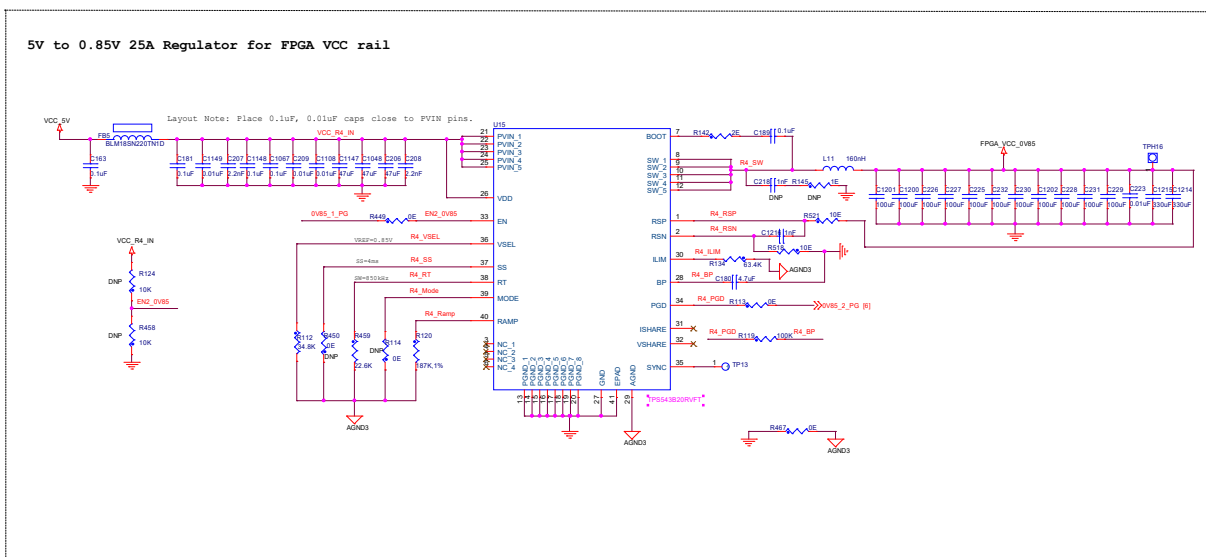


5V to 0.85V 25A Regulator for FPGA VCC rail



Title		FPGA VCC_OVBS	
Rev	1	Document Number	7034482390V1
Comp	Doc	Date	Wednesday, April 17, 2024
Sheet	1	of	1