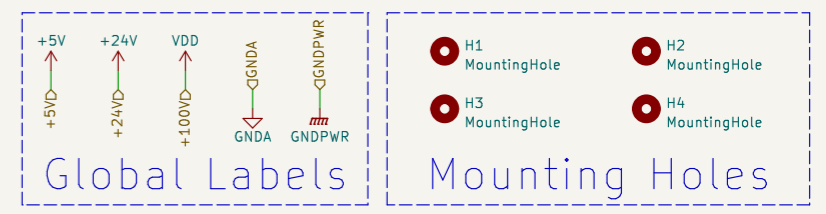
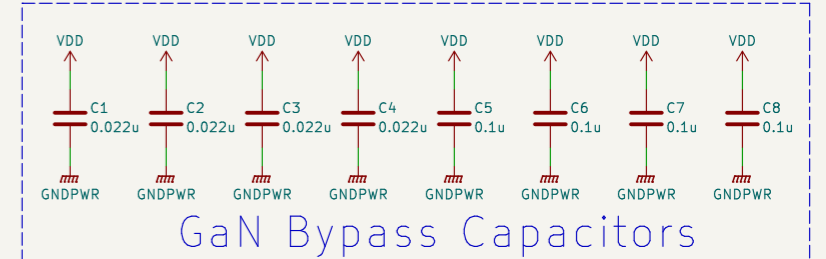
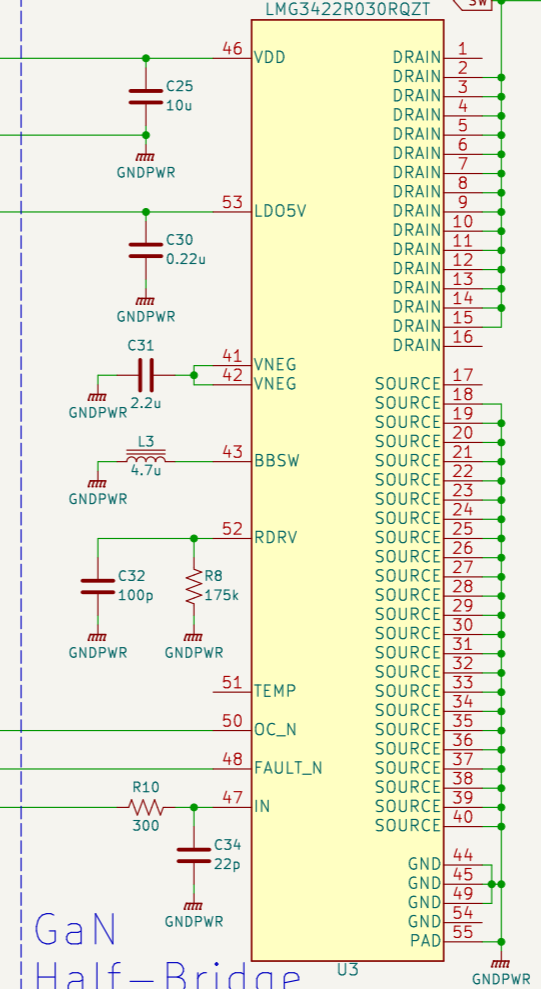
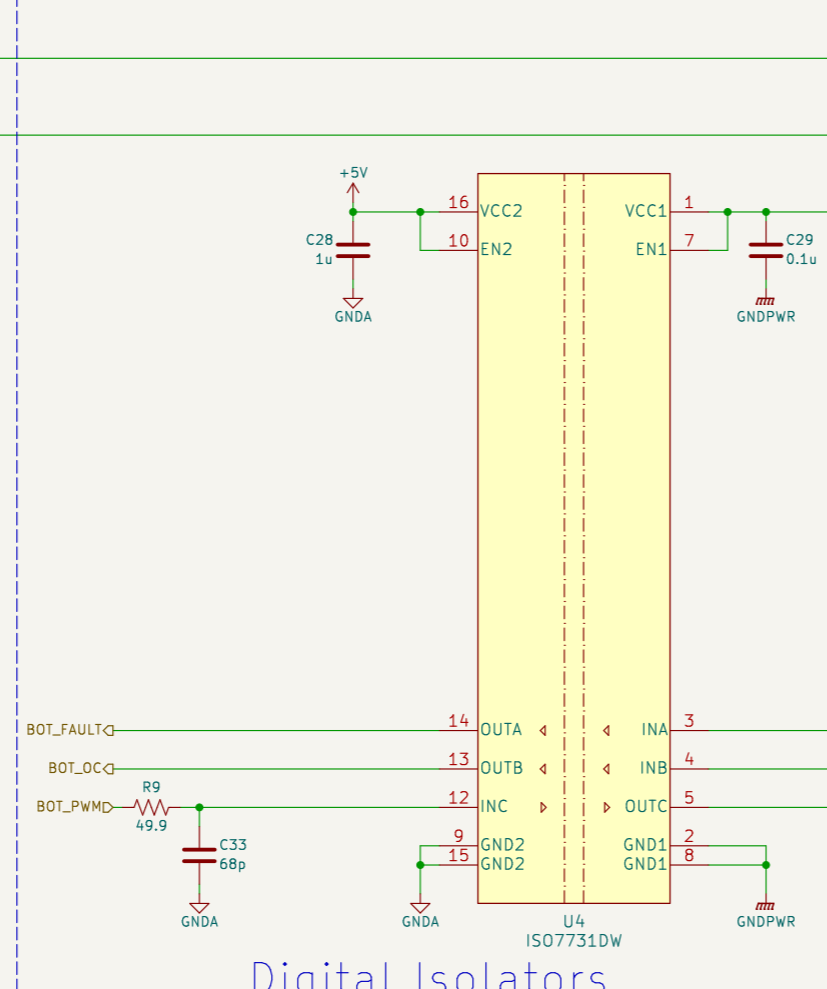
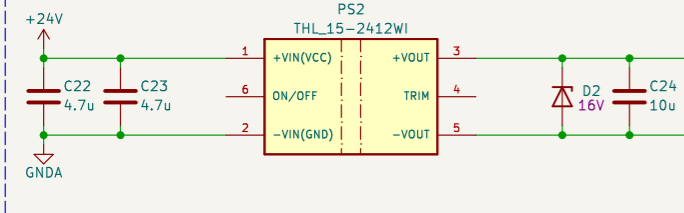
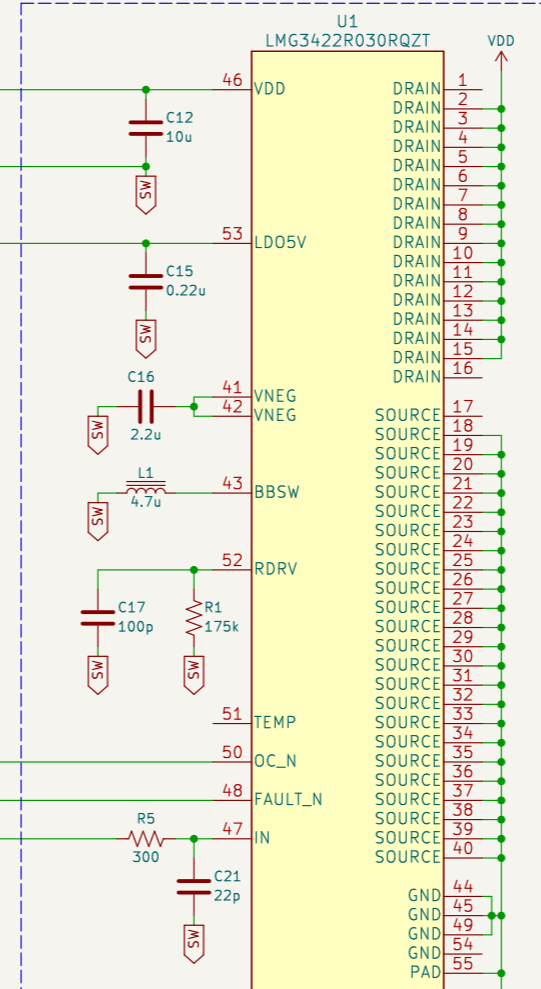
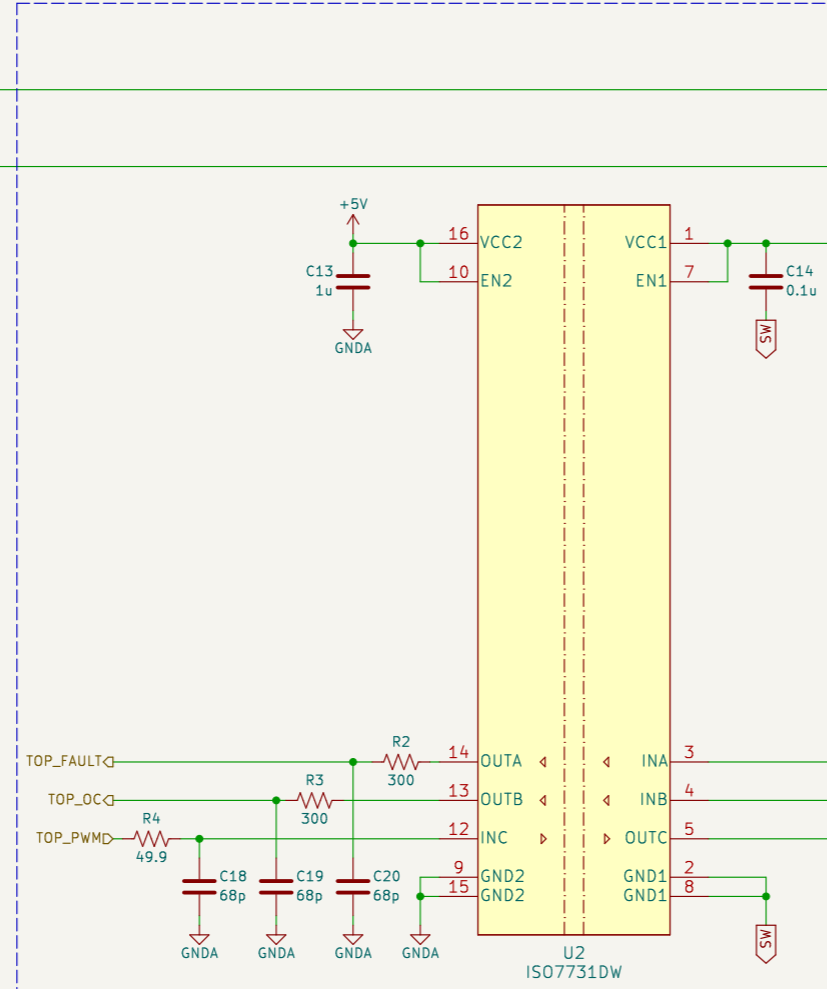
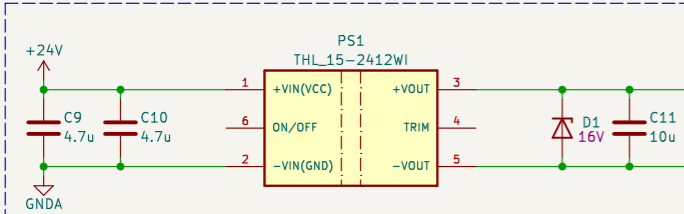


Sheet:	
File: GaN Half Bridge.kicad_sch	
<b>Title:</b>	
Size: A4	Date:
KiCad E.D.A. kicad (7.0.0)	Rev: Id: 1/2



Isolated DC-DC Converters

Digital Isolators

GaN Half-Bridge