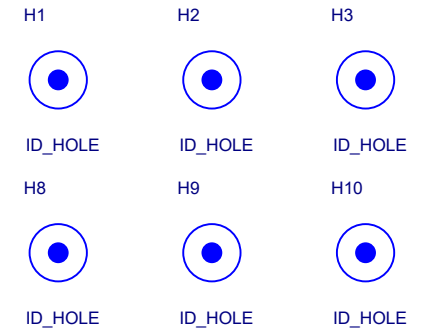
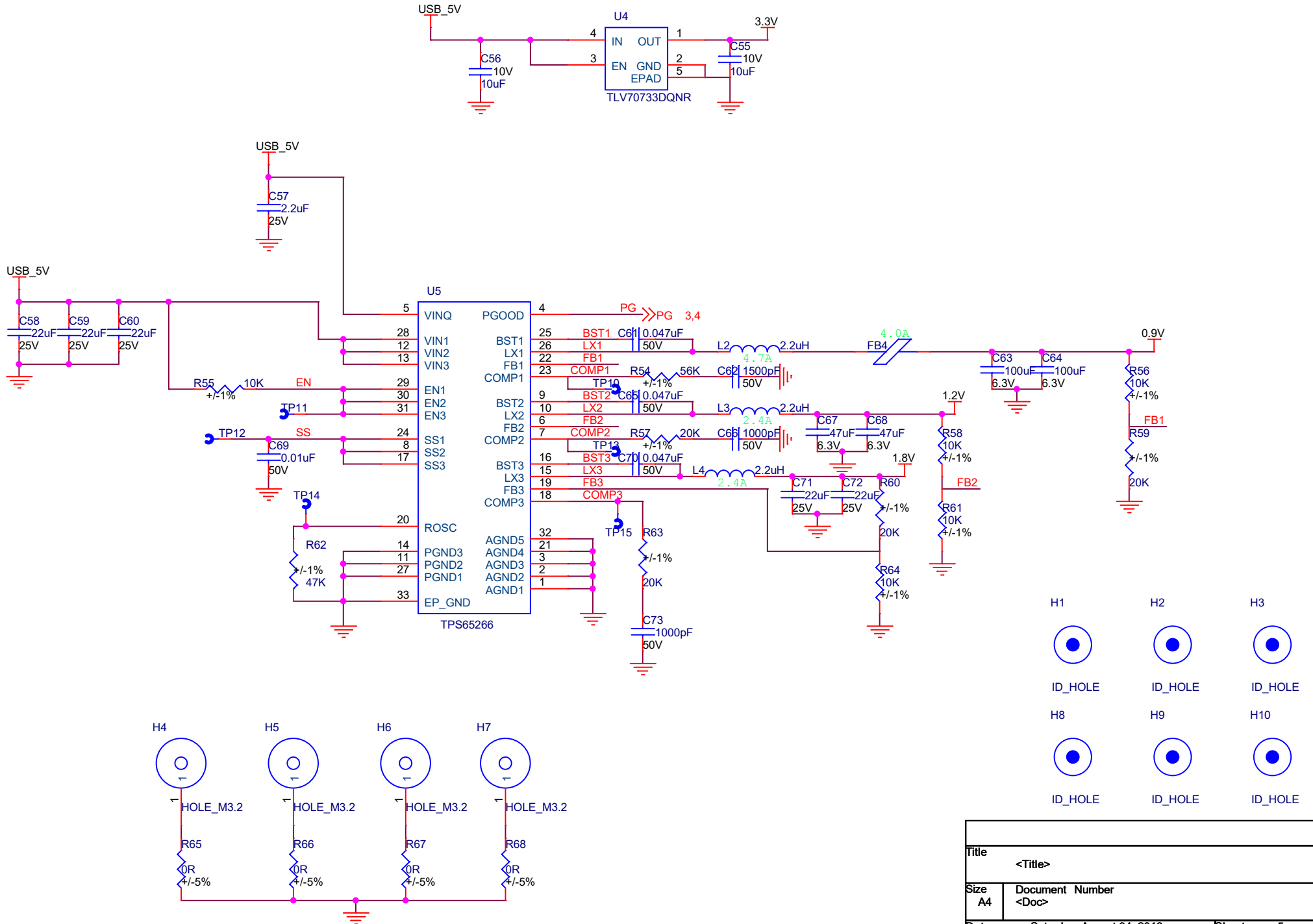


D

C

B

A



Title <Title>		
Size A4	Document Number <Doc>	Rev <Rev>
Date: Saturday, August 04, 2018	Sheet 5	of 5