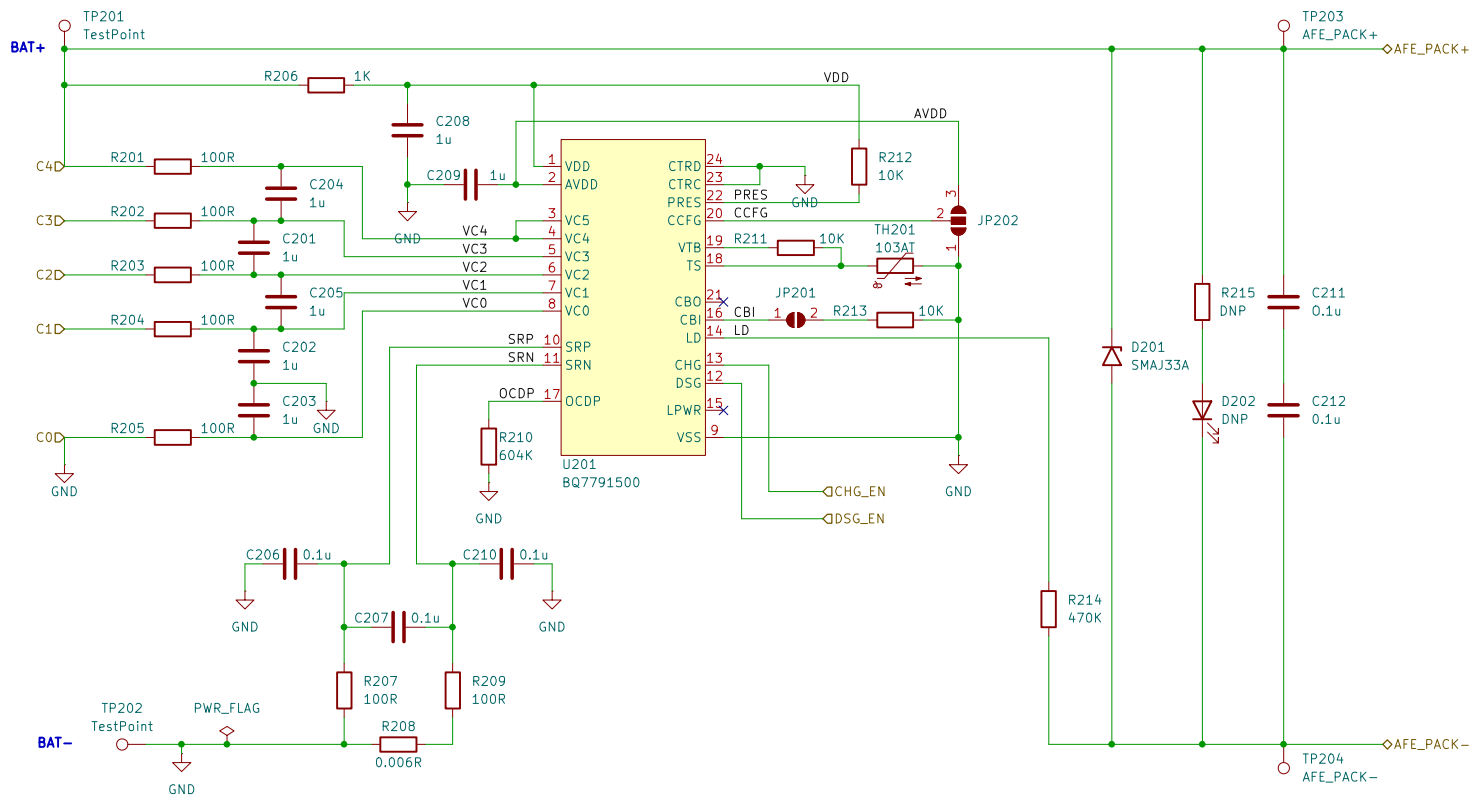


CDSspace Robotics		
Sheet: /		
File: bms.kicad_sch		
Title: BQ76200 - Evaluation Board V1		
Size: A3	Date: 2024-04-23	Rev:
KiCad E.D.A. 8.0.3		Id: 1/4



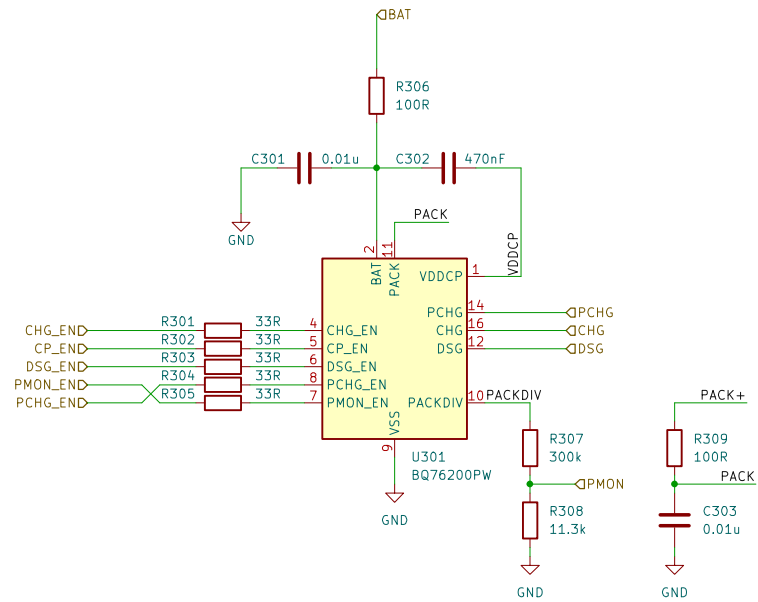
Sheet: /bq7791500/
 File: bq7791500.kicad_sch

Title:

Size: A4
 KiCad E.D.A. 8.0.3

Date:

Rev:
 Id: 2/4



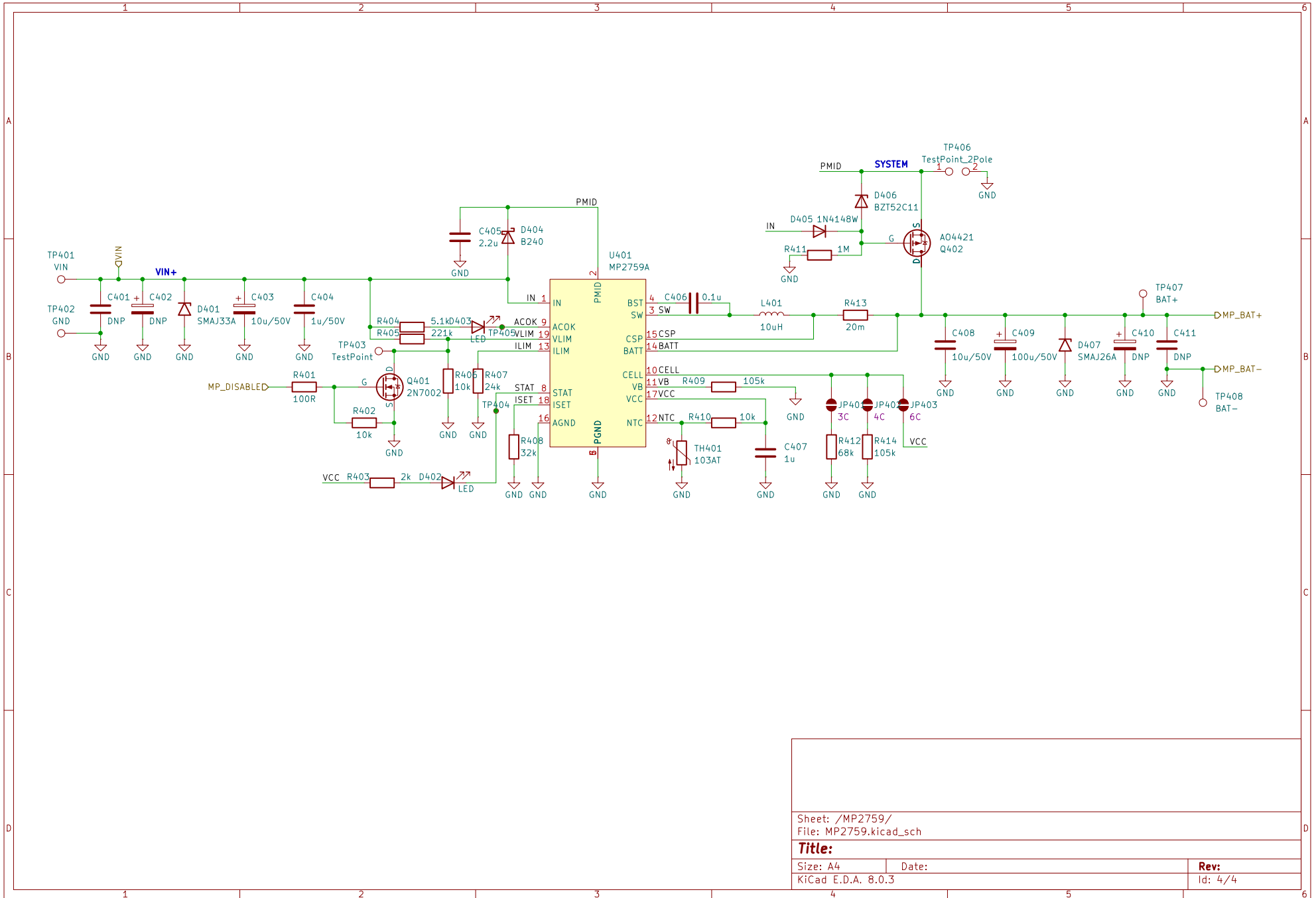
Sheet: /bq76200/
 File: bq76200.kicad_sch

Title:

Size: A4
 KiCad E.D.A. 8.0.3

Date:

Rev:
 Id: 3/4



Sheet: /MP2759/
 File: MP2759.kicad_sch

Title:

Size: A4
 KiCad E.D.A. 8.0.3

Date:

Rev:
 Id: 4/4