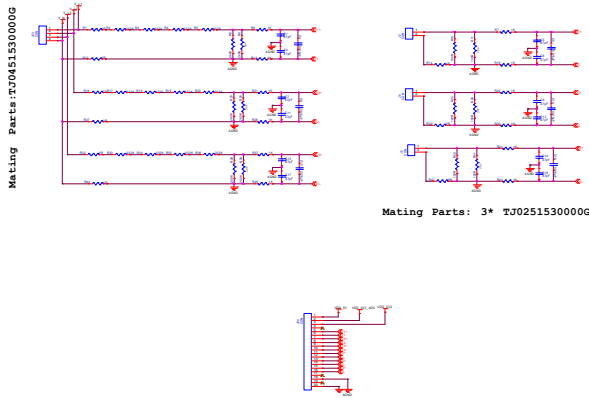
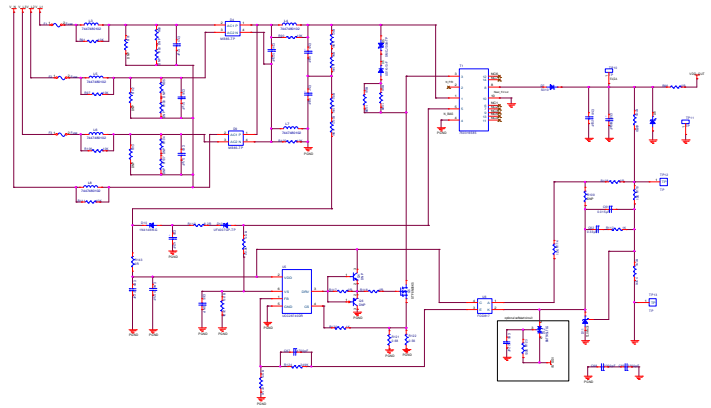


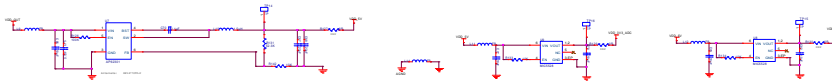
3- Ph Inputs & Coil Inputs



5V,2A SMPS



REGULATOR's



Rev	Date	By	Appr
01	2023-10-27	BR/ASH	