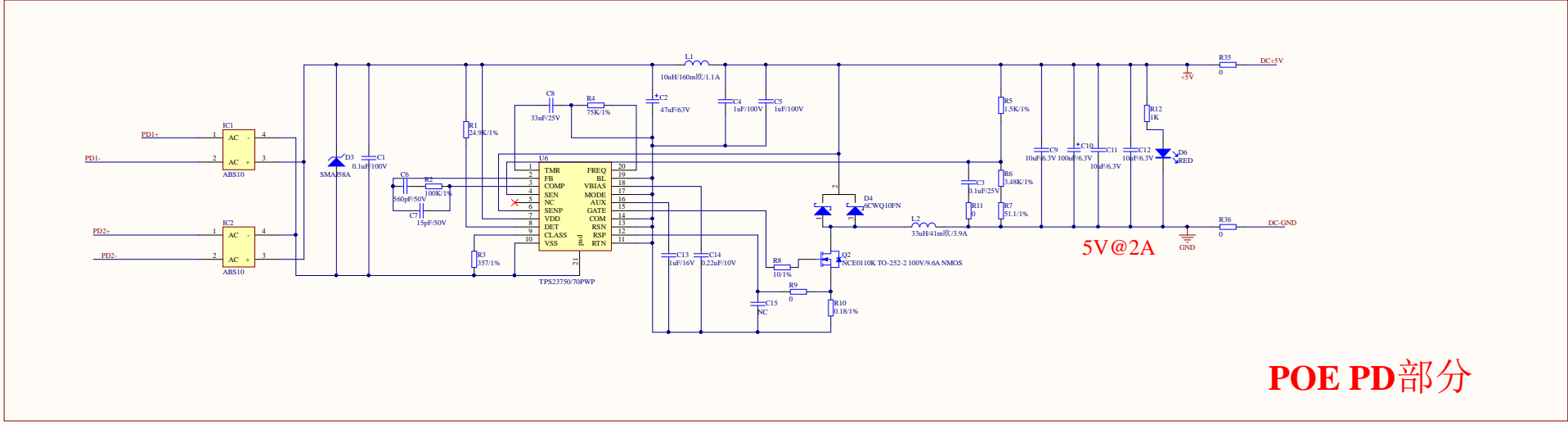
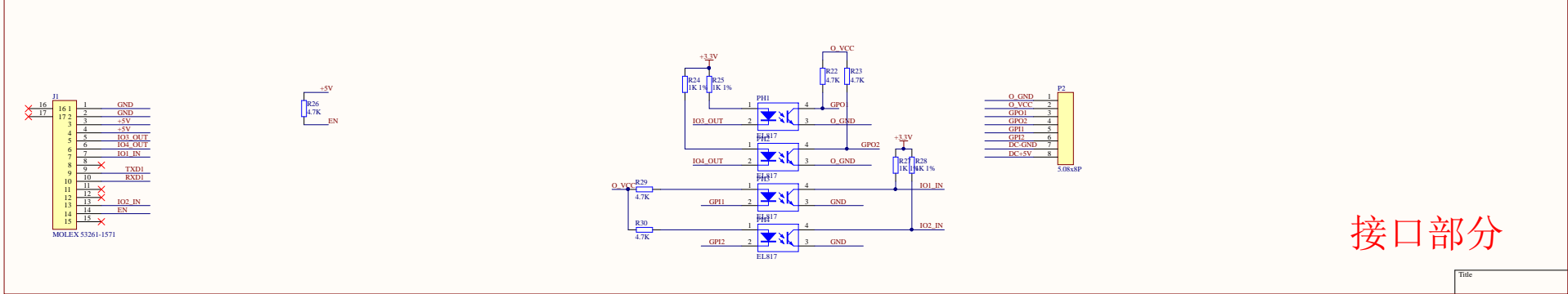


串口转网络部分



POE PD部分



接口部分

Title		Revision	
Size	A2	Number	
Date	2020/9/7	Sheet	04
File	D:\product\switch_tps23750_5V_2_Sch\Bram.B...		

Comment	Description	Designator	Footprint	LibRef	Quantity
0.1uF/100V	电容	C1	C1206	CAP	1
47uF/63V	电解电容	C2	CAP_SMD_8*10	Cap Pol1	1
0.1uF/25V	电容	C3	C0805	CAP	1
1uF/100V	电容	C4, C5	C1206	CAP	2
560pF/50V	电容	C6	C0805	CAP	1
15pF/50V	电容	C7	C0805	CAP	1
33nF/25V	电容	C8	C0805	CAP	1
10uF/6.3V	电容	C9, C11, C12	C0805_gap+	CAP	3
100uF/6.3V	电解电容	C10	CAP_SMD_6*7	Cap Pol1	1
1uF/16V	电容	C13	C0805_gap+	CAP	1
0.22uF/10V	电容	C14	C0805	CAP	1
NC	电容	C15	C0805	CAP	1
0.1uF	电容	C16, C20, C21, C22, C23, C24, C25, C29, C30, C31, C32, C33, C34, C35, C36, C38	C0805	CAP	16
1uF	钽电容	C17, C18	CASE-A_3216	Cap Pol2	2
1uF	电容	C19, C26, C37	C0805	CAP	3
20pF	电容	C27, C28	C0805	CAP	2
LED2	SMD-LED	D1	LED_0805	LED2	1
SMAJ58A	TVS	D3	SMA	Diode TVS	1
6CWQ10FN	双路肖特基	D4	TO252aa	6CWQ10FN	1
RED	LED	D6	LED_0805	LED	1
ABS10	整流桥	IC1, IC2	ABS10	BRIDGE	2
MOLEX 53261-1571		J1	MOLEX 53261-1571	MOLEX 53261-1571	1
10uH/160m欧/1.1A	电感	L1	CD54	Inductor	1
33uH/41m欧/3.9A	电感	L2	1210 - L	Inductor	1
RJ45_LED	带灯网口座	P1	RJ45_LED	RJ45_LED	1
5.08x8P	接线端子(母+公)	P2	5.08x8P	5.08x8P	1
Header 5	Header, 5-Pin	P4	HDR1X5	Header 5	1
EL817	Optoisolator	PH1, PH2, PH3, PH4	EL/PC817	PC817	4
NCE0110K TO-252-2 100V/9.6A NMOS	N-Channel Power MOSFET	Q2	TO252aa	NMOS-2	1
24.9K/1%	电阻	R1	R0805	RES	1
100K/1%	电阻	R2	R0805	RES	1
357/1%	电阻	R3	1210	RES	1
75K/1%	电阻	R4	R0805	RES	1
1.5K/1%	电阻	R5	R0805	RES	1
3.48K/1%	电阻	R6	R0805	RES	1
51.1/1%	电阻	R7	R0805	RES	1
10/1%	电阻	R8	R0805	RES	1
0	电阻	R9, R11, R35, R36, R37	R0805	RES	5
0.18/1%	电阻	R10	1210_gap+	RES	1
1K	电阻	R12	R0805	RES	1
18K	电阻	R20	R0805	RES	1
49.9 1%	电阻	R21, R31, R32, R33	R0805	RES	4
4.7K	电阻	R22, R23, R26, R29, R30	R0805	RES	5
1K 1%	电阻	R24, R25, R27, R28	R0805	RES	4
470	电阻	R34, R38, R39	R0805	RES	3
HY601742	网络变压器, POE	T1	HY601742	HY601742	1
XC6206P332MR	5v转3.3v LDO	U1	SOT-23-3L	XC6206	1
CH9121	串口转网络芯片	U2	STM-LQFP64 M	CH9121	1
XC6206P182MR	5v转3.3v LDO	U3	SOT-23-3L	XC6206	1
TPS23750/70WP	POE PD	U6	TPS23750/70	TPS23750/70	1
30MHz	晶振	X1	X1-4	X1-4	1