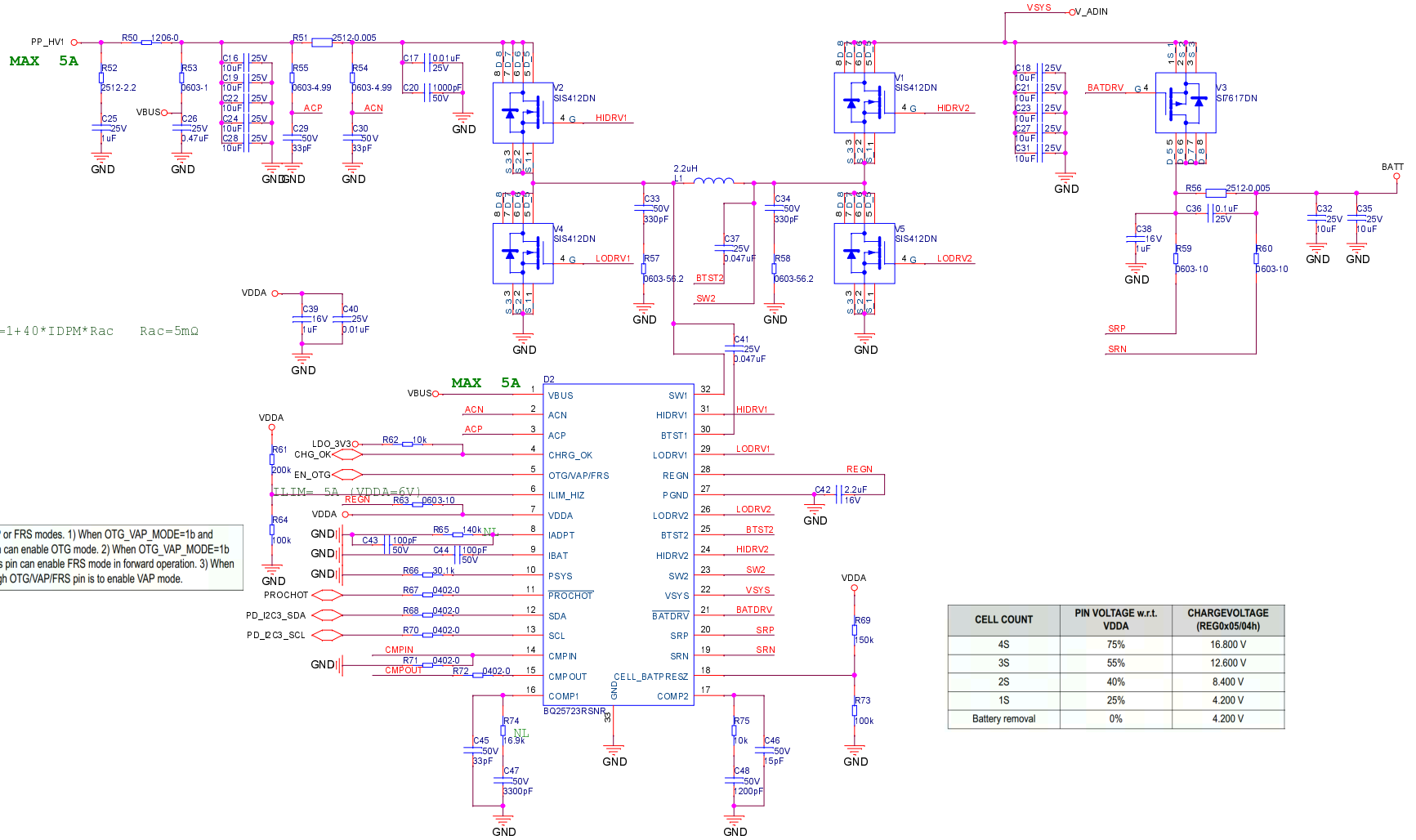




# CHG



输入电流设置 Pin6:  $V6=1+40 \cdot IDPM \cdot Rac$   $Rac=5m\Omega$

EN\_OTG: OTG/VAP/FRS

Active HIGH to enable OTG, VAP or FRS modes. 1) When OTG\_VAP\_MODE=1b and EN\_OTG=1b, pulling high this pin can enable OTG mode. 2) When OTG\_VAP\_MODE=1b and EN\_FR=1b, pulling high this pin can enable FRS mode in forward operation. 3) When OTG\_VAP\_MODE=0b, pulling high OTG/VAP/FRS pin is to enable VAP mode.

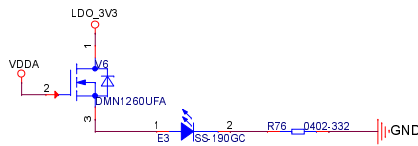
CELL COUNT	PIN VOLTAGE w.r.t. VDDA	CHARGE VOLTAGE (REG0x05/04h)
4S	75%	16.800 V
3S	55%	12.600 V
2S	40%	8.400 V
1S	25%	4.200 V
Battery removal	0%	4.200 V

## PIN8 IADPT

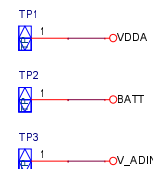
表 9-4. Inductor Detection through IADPT Resistance

INDUCTOR IN USE	RESISTOR ON IADPT PIN
1 $\mu$ H (recommended for 1200 kHz)	90.9 k $\Omega$
1.5 $\mu$ H (recommended for 800 kHz)	121 k $\Omega$
2.2 $\mu$ H (recommended for 500 kHz)	137 k $\Omega$ or 140 k $\Omega$
3.3 $\mu$ H (recommended for 300 kHz)	169 k $\Omega$

## PIN9 IBAT



## TEST POINTS POWER BQ CHARGER



Title	<Title>	Rev	<Rev Code>
Size	Document Number		
A3	<Doc>		
Date:	Tuesday, February 27, 2024	Sheet	3 of 16