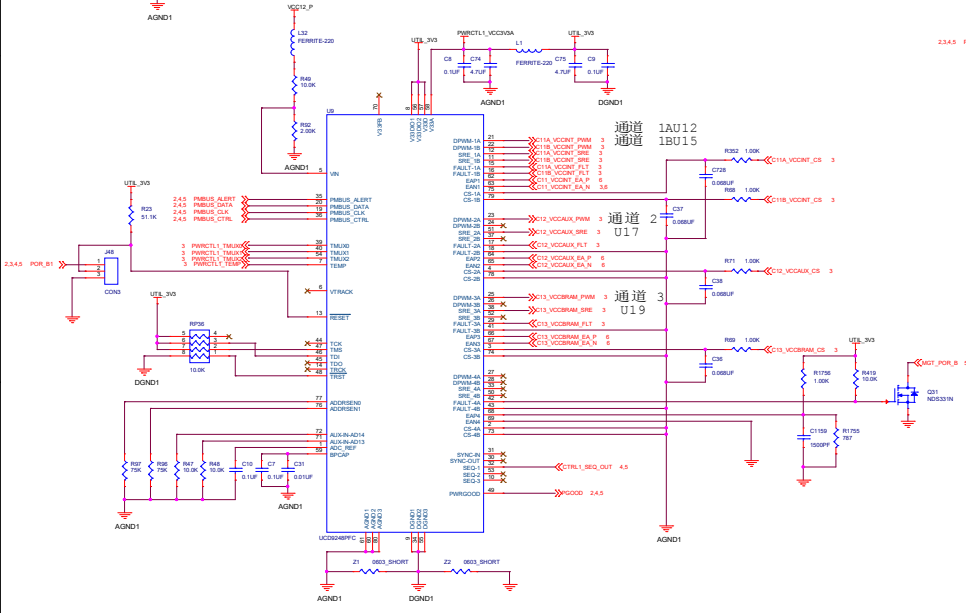
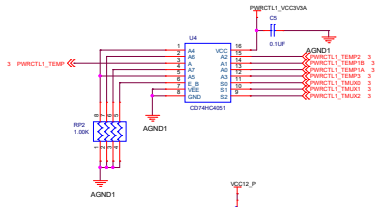
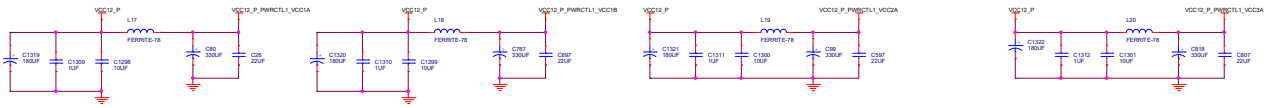
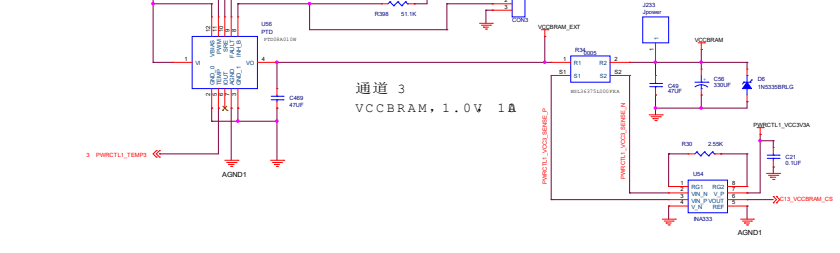
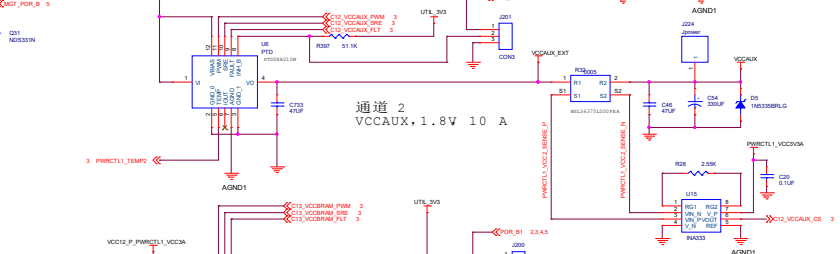
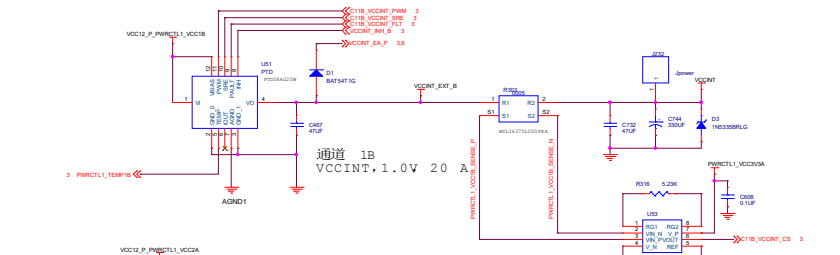
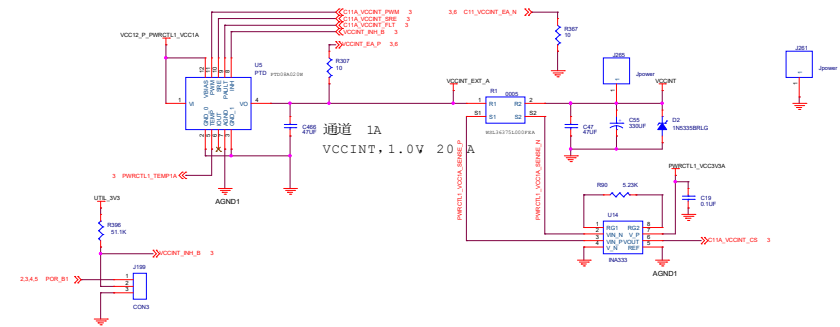


PWRCTL (n) TEMP (X) (Y): n表示控制通道, X为控制输出链路标号, Y表示同一链路A路或者B路



PMBus Addr=52



Rev	1
Date	2014-08-20
Author	...
Checker	...
Designer	...
Project	...
Sheet	1 of 1