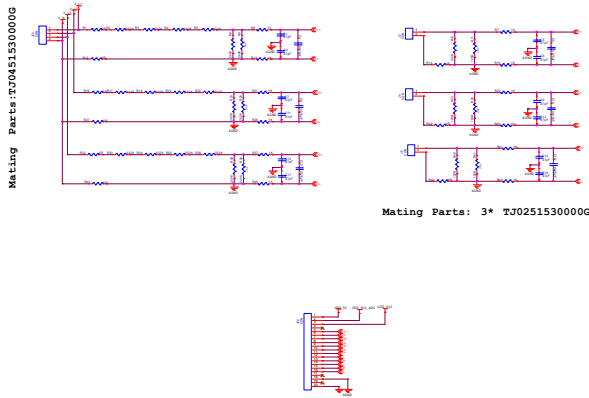
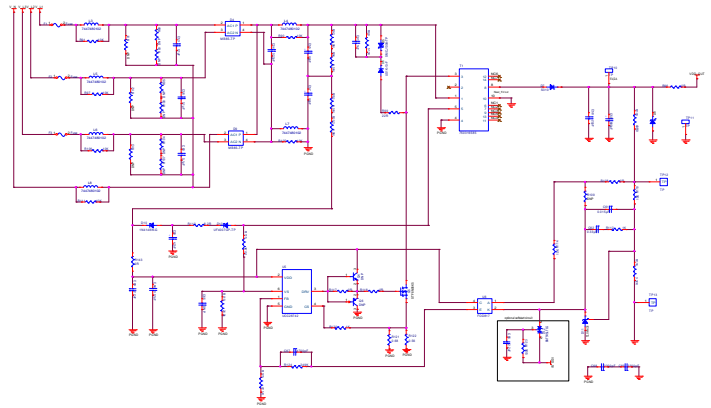


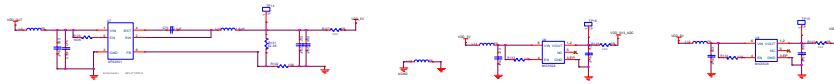
3- Ph Inputs & Coil Inputs



5V,2A SMPS



REGULATOR's



Rev	By	Appr	Date
01	BR/ASH		01/01/2023