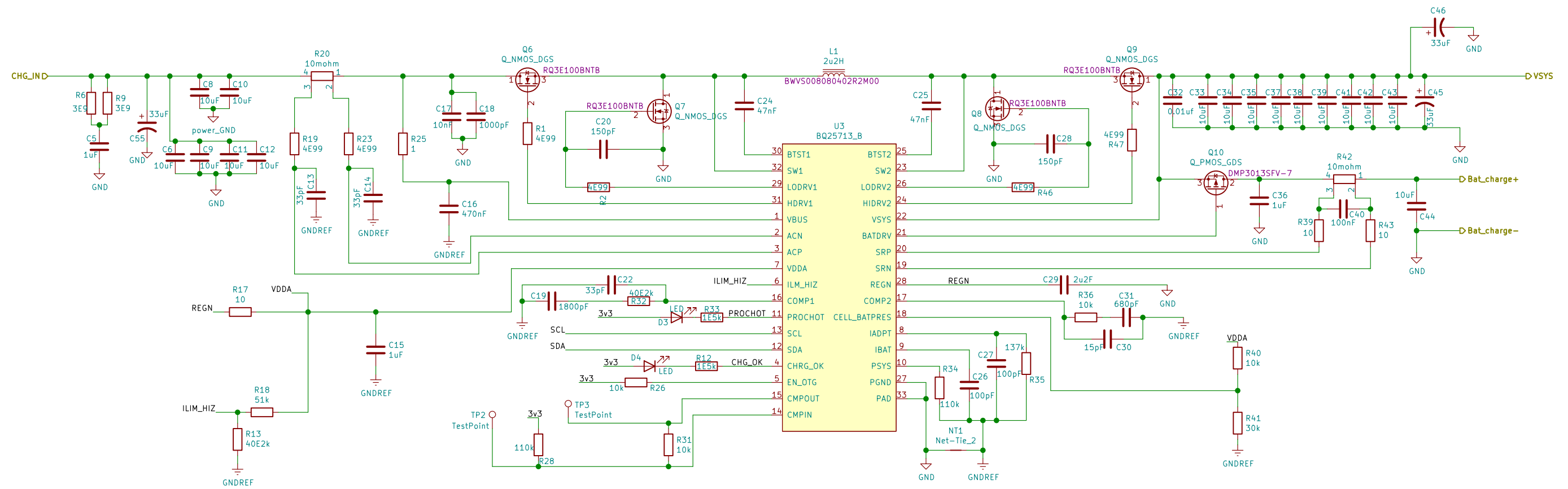


# CHARGER



Input Output Pins  
Interface pins of sheet

SCL	◇ BQ_SCL
SDA	◇ BQ_SDA
3v3	◇ 3v3
CHG_OK	◇ CHG_OK
VBUS	◇ VBUS
PROCHOT	◇ PROCHOT

Sheet: /charger/ File: file5F65E13A.sch		
<b>Title:</b>		
Size: A3	Date:	Rev:
KiCad E.D.A. kicad (5.1.6)-1	Id: 6/7	