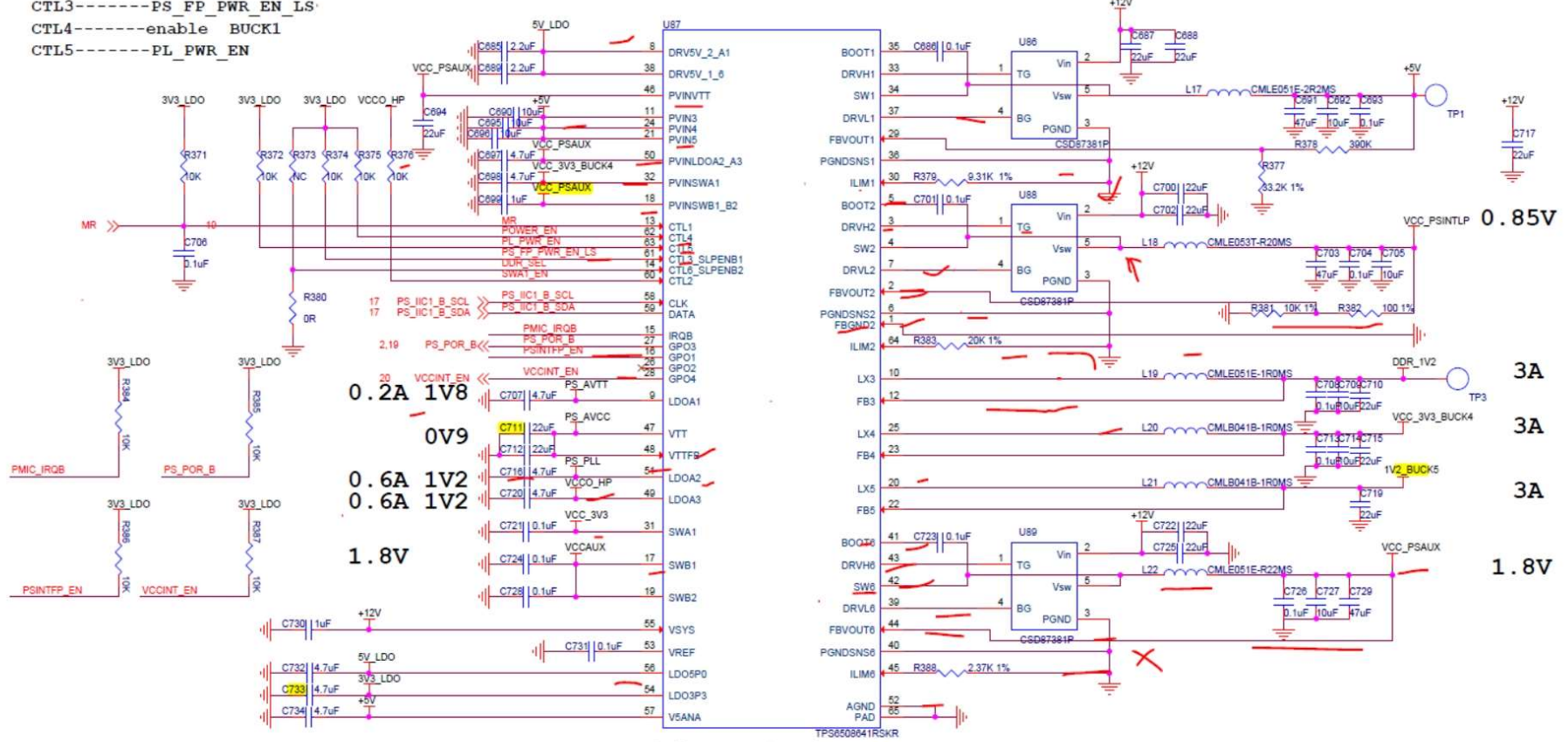


Schematic

CTL2-----enable and disable SWA1
 CTL3-----PS_FP_PWR_EN_LS
 CTL4-----enable BUCK1
 CTL5-----PL_PWR_EN



去掉R375时正常

PS_IIC0: IIC ADDRESS IS 0x5E

