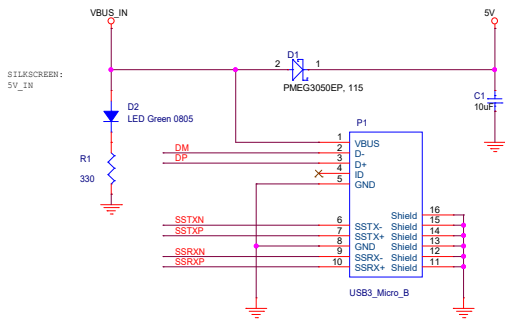
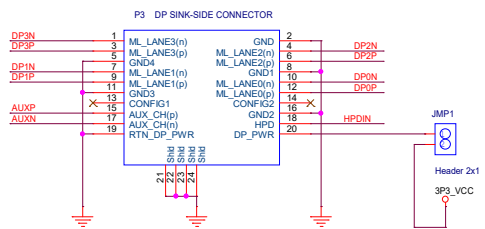


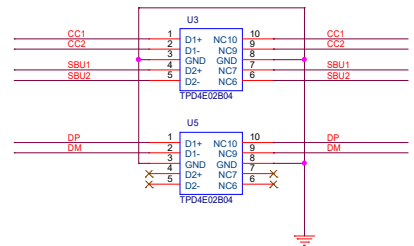
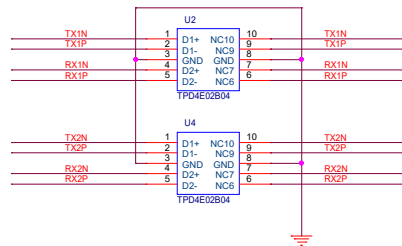
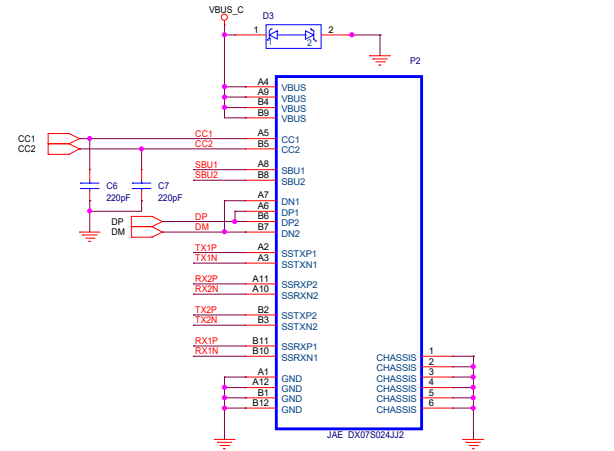
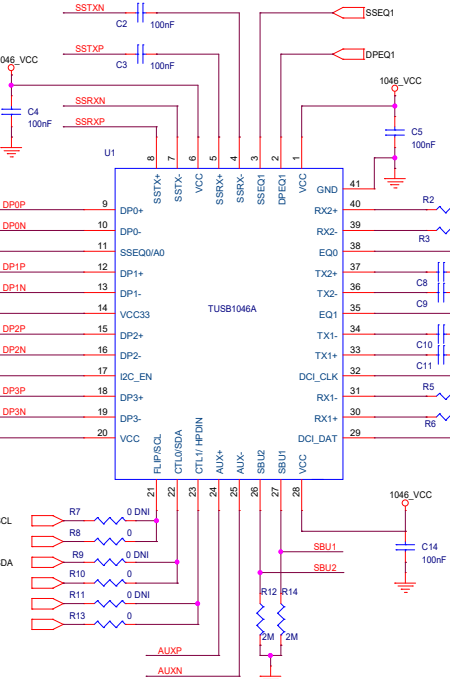
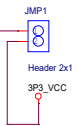
USB Host Connection



DisplayPort Source Connection

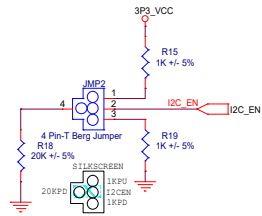


DP Power

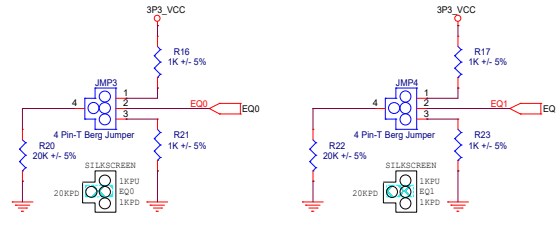


Title		
USB1046A		
Size	Document Number	Rev
C	INT053	D
Date:	Sunday, March 21, 2021	Sheet 1 of 5

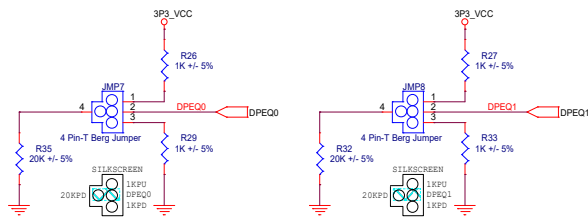
I2C_EN Header Config



Downstream USB EQ Config

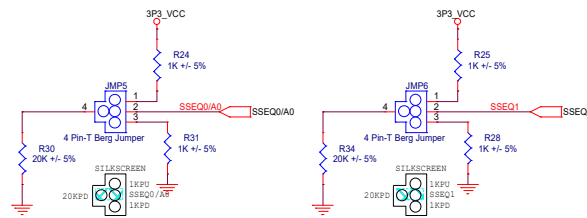


DisplayPort EQ Config

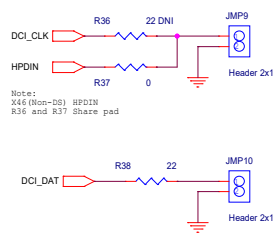


Note: DPEQ0 for TUSBx46 BOM Option only

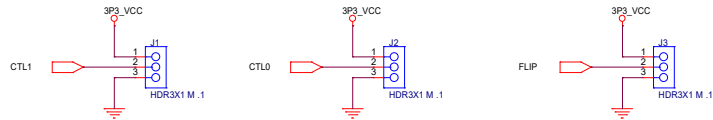
Upstream USB EQ Config



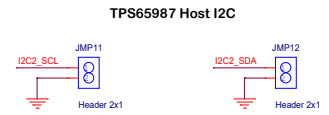
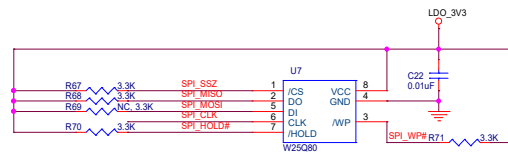
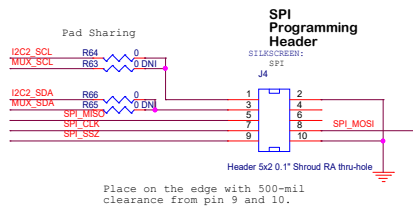
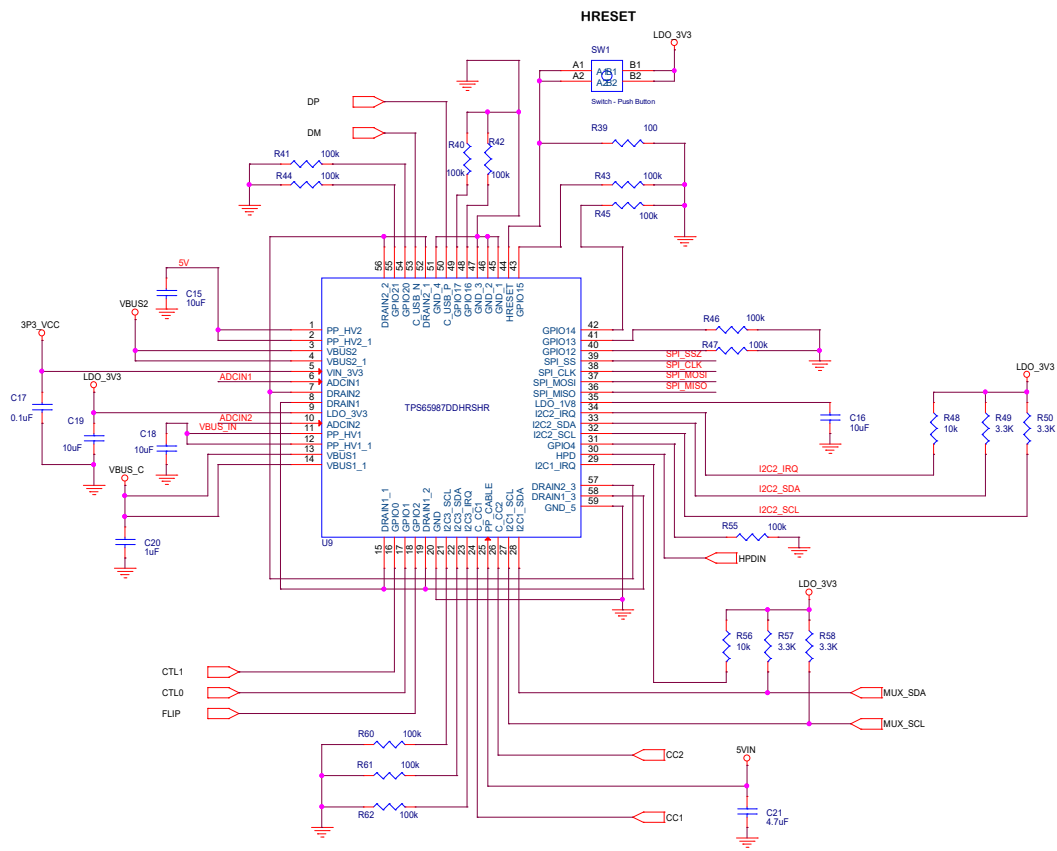
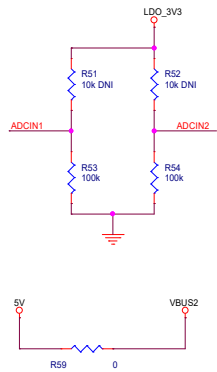
DCI Interface



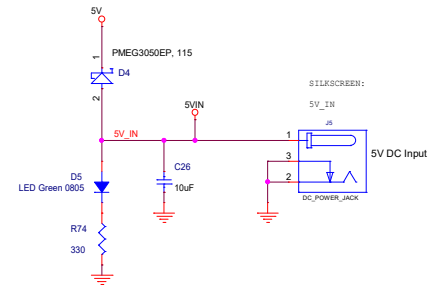
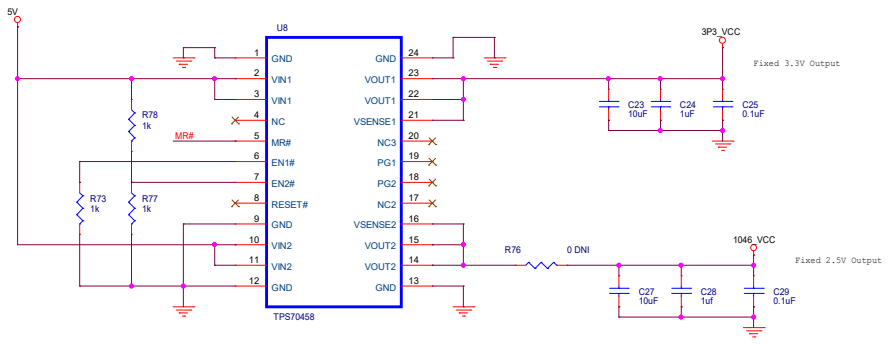
GPIO CONFIG Control



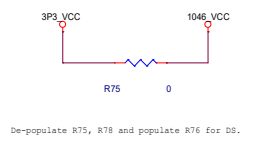
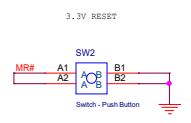
CTL1	CTL0	FLIP	Mux Operation
LOW	LOW	LOW	POWER DOWN
LOW	LOW	HIGH	POWER DOWN
LOW	HIGH	LOW	One Port USB3.1 No FLIP
LOW	HIGH	HIGH	One Port USB3.1 With FLIP
HIGH	LOW	LOW	4 Lane DP No FLIP
HIGH	LOW	HIGH	4 Lane DP With FLIP
HIGH	HIGH	LOW	1 Port USB3.1 + 2 Lane DP No FLIP
HIGH	HIGH	HIGH	1 Port USB3.1 + 2 Lane DP With FLIP



Title		
TPS65987		
Size	Document Number	Rev
C	INT053	D
Date:	Sunday, March 21, 2021	Sheet 3 of 5



External 5V required for DP Alt-Mode



De-populate R75, R78 and populate R76 for D6.

Title			Power		
Size	Document Number				Rev
C	INT053				D
Date:	Sunday, March 21, 2021	Sheet	4	of	5

LB1



LB1:
INT053-001 = TUSB1046EVM

Mounting Hole Mounting Hole Mounting Hole Mounting Hole



PCB1



INT053

SCRW1



SCRW2



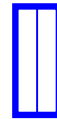
SCRW3



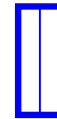
SCRW4



STDOFF1



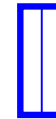
STDOFF2



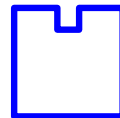
STDOFF3



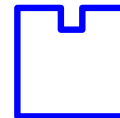
STDOFF4



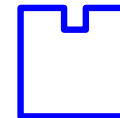
SHNT1



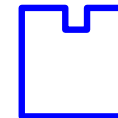
SHNT2



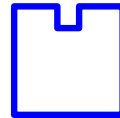
SHNT3



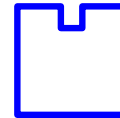
SHNT4



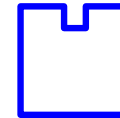
SHNT5



SHNT6



SHNT7



PCB LOGO
Texas Instruments

PCB LOGO
ESD1

PCB LOGO
FCC Disclaimer

PCB LOGO
CE LOGO

PCB LOGO
WEEE LOGO

Title		
Hardware		
Size A	Document Number INT053	Rev D
Date:	Sunday, March 21, 2021	Sheet 5 of 5