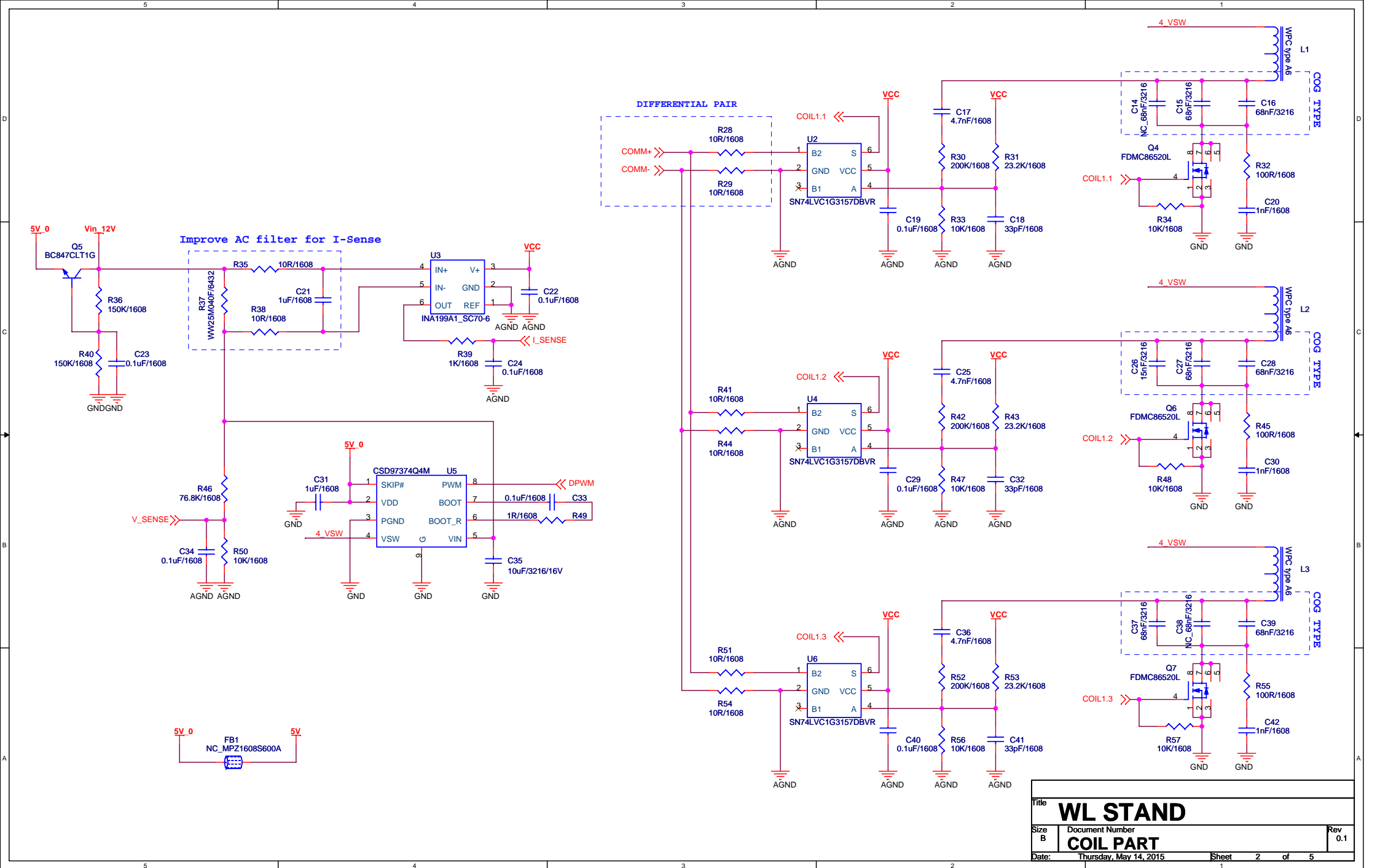
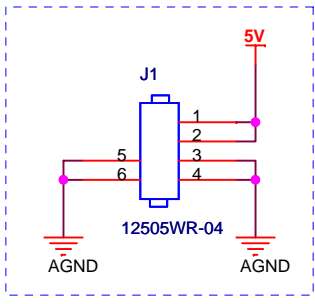


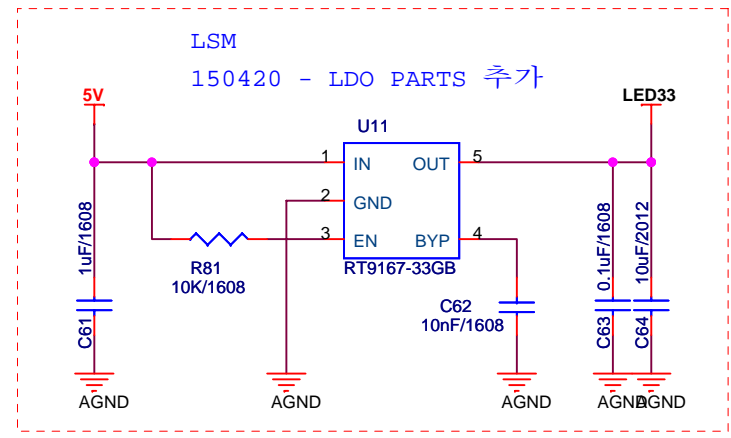
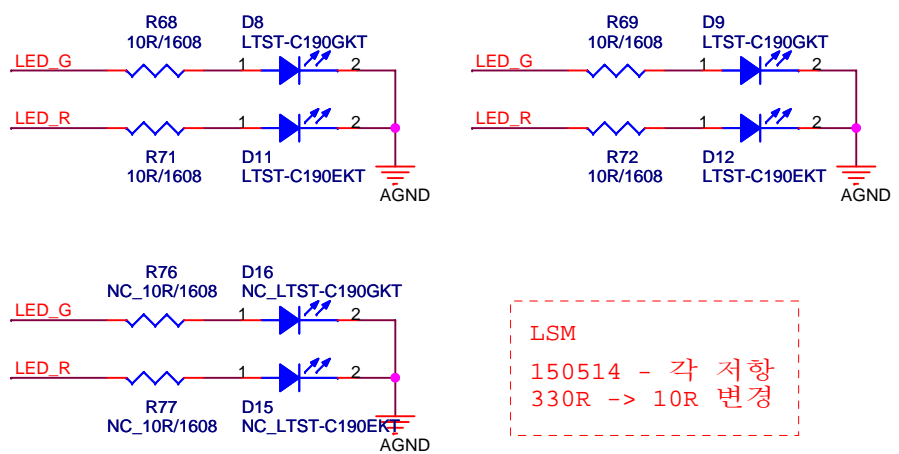
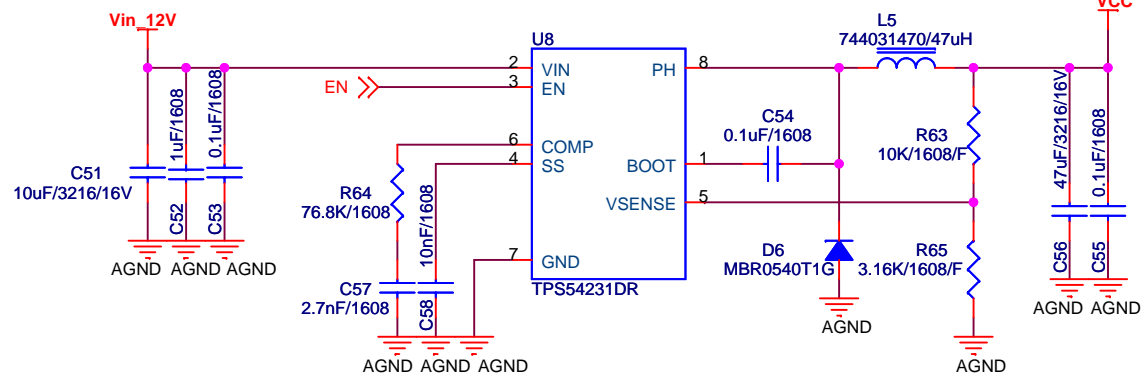
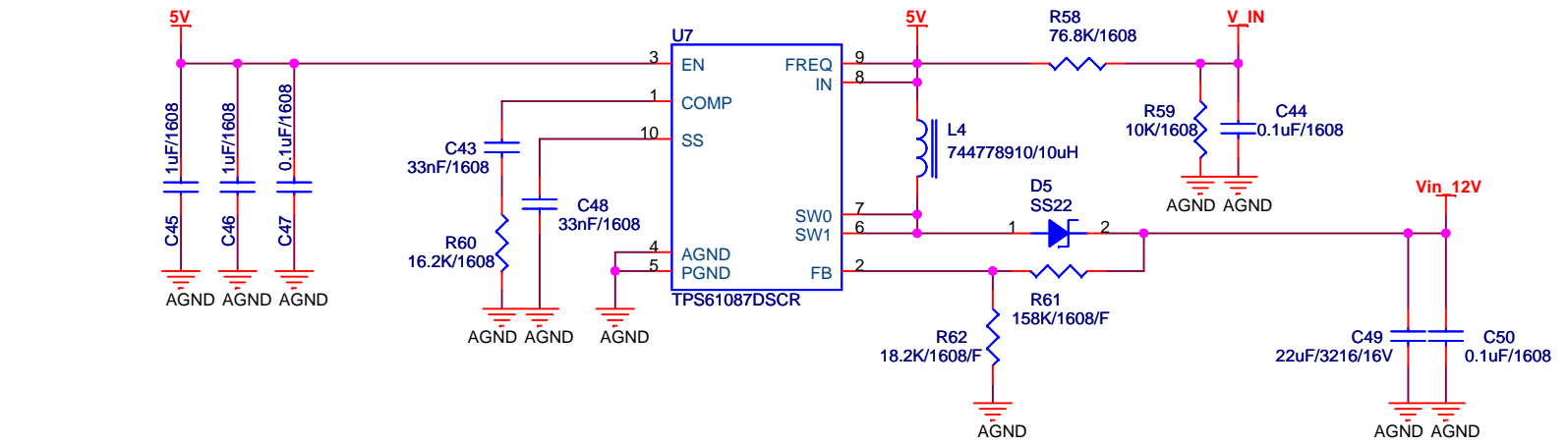
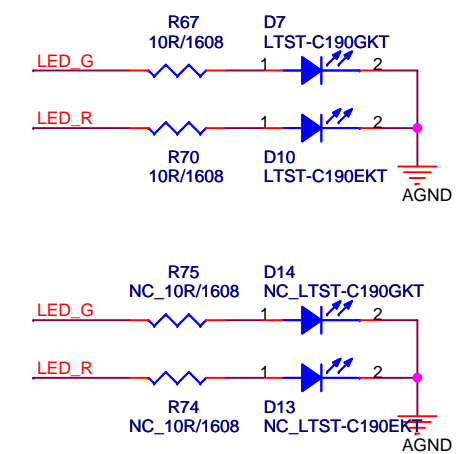
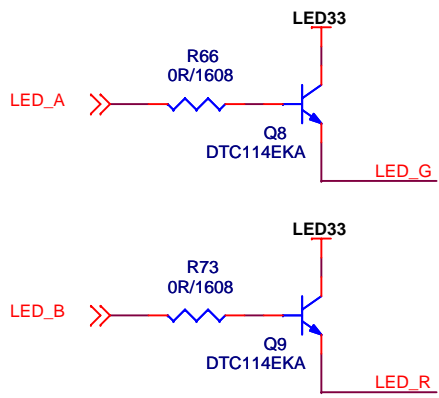
Title		
<b>WL STAND</b>		
Size	Document Number	Rev
A4	<b>MAIN CHIP</b>	0.1
Date:	Thursday, May 14, 2015	Sheet 1 of 5



Title		<b>WL STAND</b>	
Size	Document Number	Rev	
B	<b>COIL PART</b>	0.1	
Date:	Thursday, May 14, 2015	Sheet	2 of 5



LSM  
150420 - Q8  
IRML6401 -> DTC114EKA로 교체



LSM  
150514 - 각 저항  
330R -> 10R 변경

Title			<b>WL STAND</b>		
Size	Document Number				Rev
A4	<b>T-POWER</b>				0.1
Date	Thursday, May 14, 2015			Sheet	3 of 5