

CUSTOMER: Texas Instrument	SPECIFICATION	TYPE EE1617
DATE	REVISIONS	CLIENT
2016/1/20	1. The winding 2&3 are changed. 2. The leakage inductance is updated	Nelson
2016/1/22	1.The approve stamp is added	Nelson
2016/3/10	1. The flywire length is changed from 50mm to 30mm.	Nelson

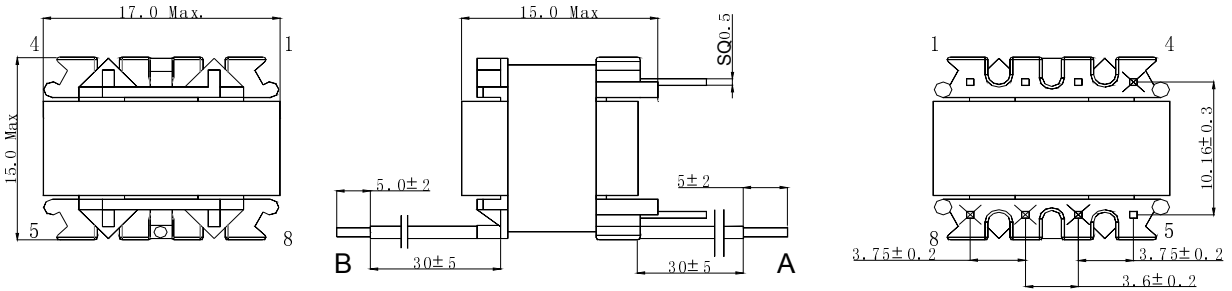
P1/3

NOTE :	SPEC. NO. 10339-T048
--------	--------------------------------

SPECIFICATION

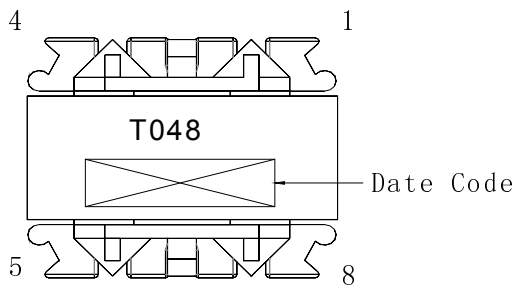
TYPE
EE1617

1. MECHANICAL DIMENSIONS (unit:mm)

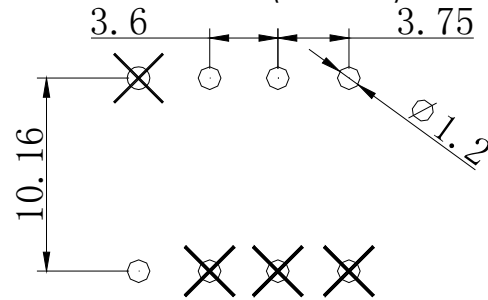


- * TERMINALS SHOULD BE MEASURED EXCLUDING THE LENGTH OF THE SOLDERED POINT.
- * DIMENSIONS WITHOUT TOLERANCE ARE REFERENCE.

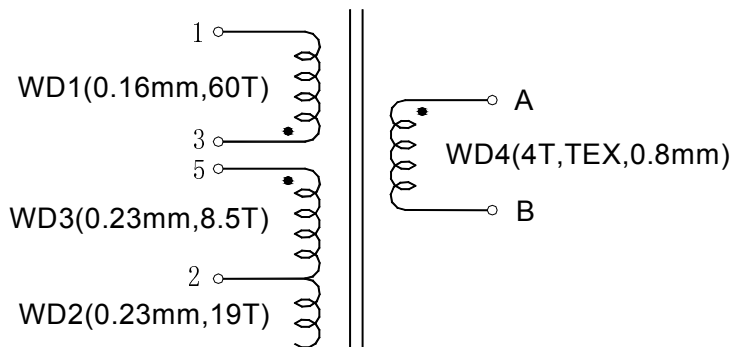
2. STAMP



3. LAND PATTERN (Unit:mm)



4. SCHEMATIC



RoHS

Compliance
Cd: Max. 0.01wt%
others:
Max. 0.1wt%

- * Dot indicates polarity

APPROVED BY	CHECKED BY	PREPARED BY	SUMIDA P/N	TBD	SPEC.NO.
			Customer P/N		10339-T048
			FIRST ISSUE		

SPECIFICATION

TYPE

EE1617

6. ELECTRICAL CHARACTERISTICS (AT 25°C UNLESS OTHERWISE SPECIFIED)

ITEM	PIN	SPECIFICATION	MEASURING CONDITIONS
INDUCTANCE	(1-3)	850uH±10%	100kHz/0.1Vrms
LEAKAGE INDUCTANCE	(1-3)	65 uH Max.	100kHz,0.1Vrms,TIE all other pins.
DCR	(1-3)	2.0Ω Max.	
DCR	(2-5)	200mΩ Max.	
DCR	(A-B)	12mΩ Max.	
HI-POT	(1,2,3,5-A,B)	3600Vrms	50/60z, 1mA, 2Sec

7. NOTE:

- * OPERATING TEMPERATURE RANGE: -40°C~85°C . (INCLUDING TEMPERATURE RISE).
- * STORAGE TEMPERATURE RANGE: -40°C~85°C .

P3/3

NOTE :

SPEC. NO.

10339-T048