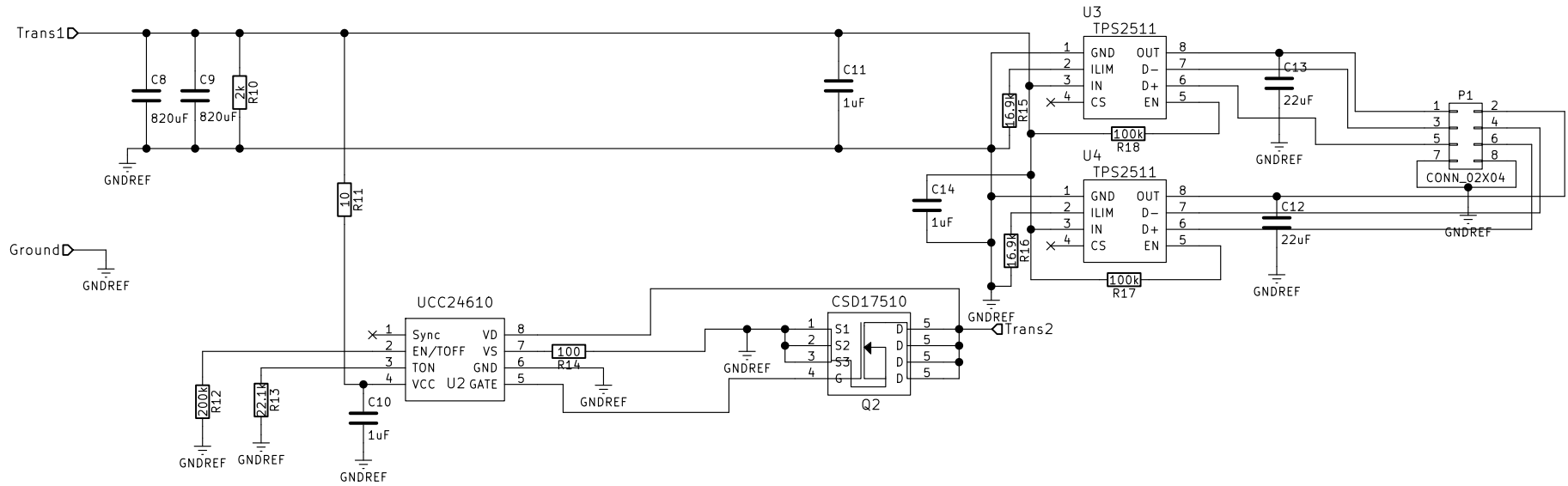


Sheet: /  
File: K762\_REV2.sch

**Title:** K762

Size: A4 Date:  
KiCad E.D.A. kicad 4.0.5

**Rev:** 2  
Id: 1/2



Sheet: /K762\_Secondary/  
 File: K762\_Secondary.sch

**Title:**

Size: A4  
 KiCad E.D.A. kicad 4.0.5

Date:

Rev:  
 Id: 2/2