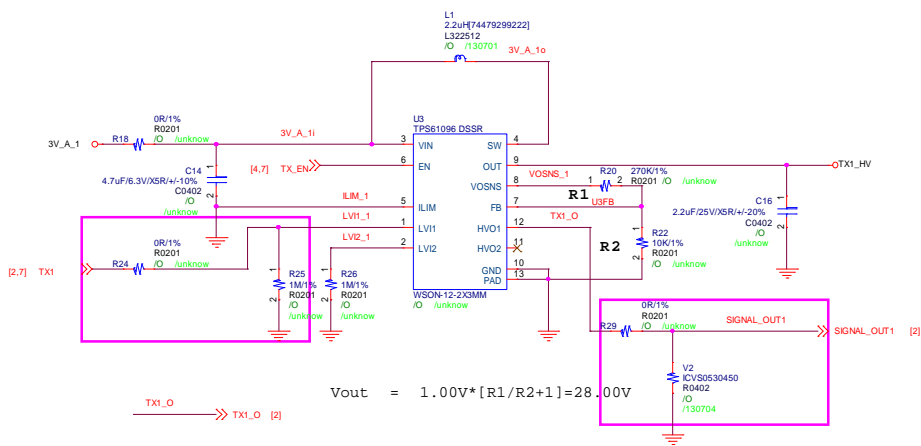


TX1 Boost Power

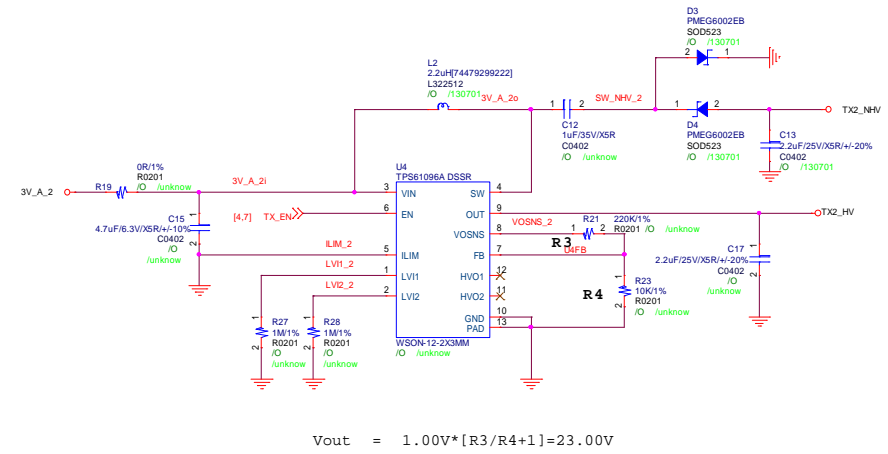
3V to 28V



$$V_{out} = 1.00V * [R1/R2+1] = 28.00V$$

TX2 Boost Power

3V to +/-23V



$$V_{out} = 1.00V * [R3/R4+1] = 23.00V$$

File		
Adonit		
Size	Document Number	Rev
C	<Dec>	0.03
Date:	Thursday, April 20, 2017	Sheet 4 of 9