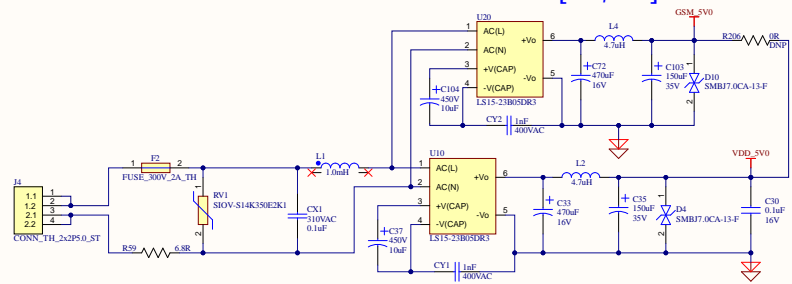
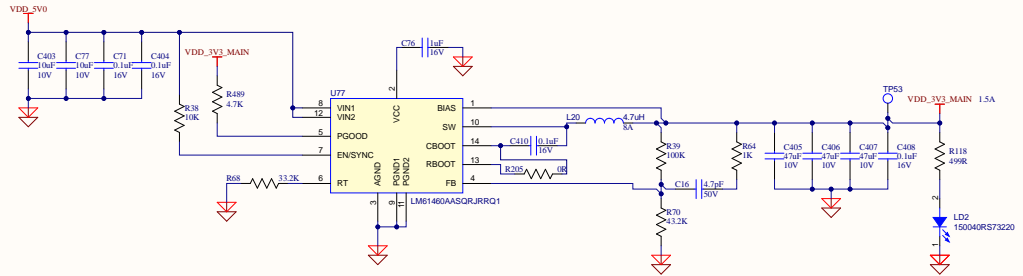


POWER SUPPLY

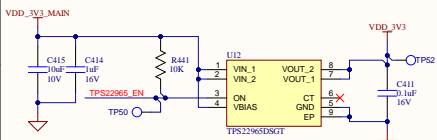
AC-DC MODULE [5V, 6A]



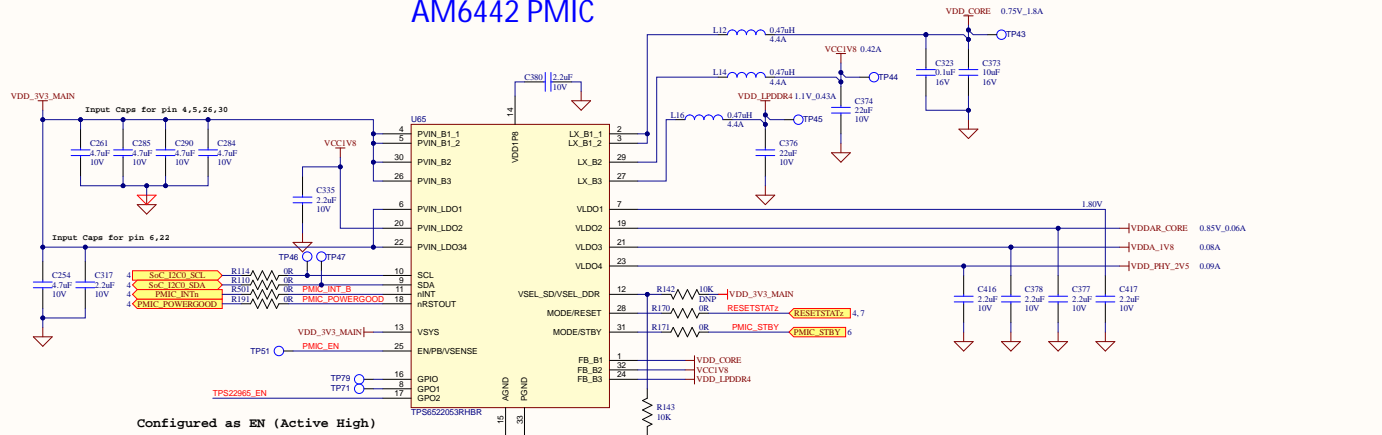
3.3V, 6.0A SUPPLY



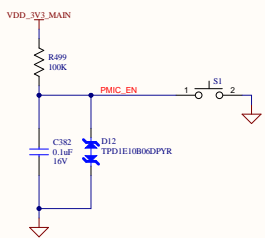
3V3 POWER SWITCH



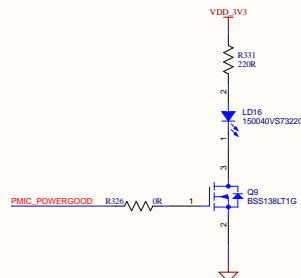
AM6442 PMIC



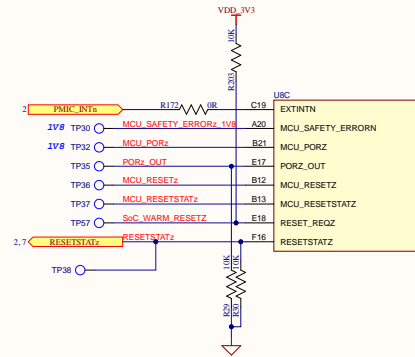
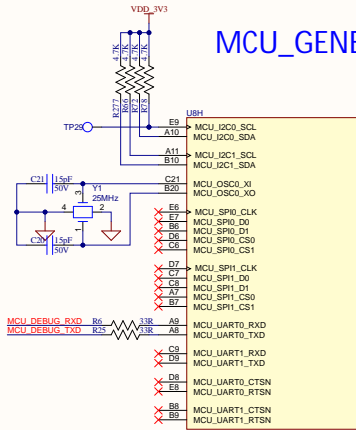
ON/OFF LOGIC



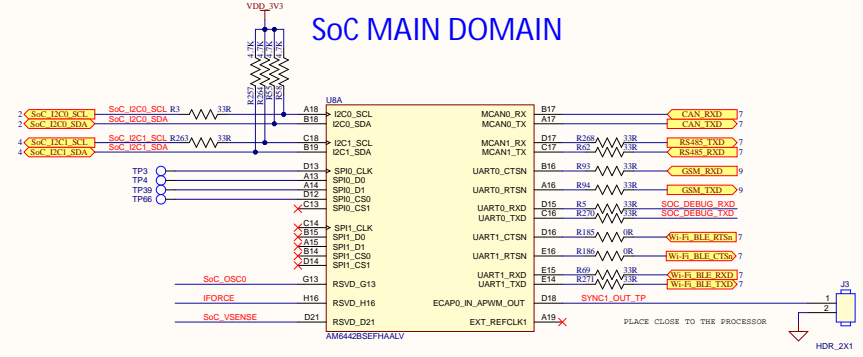
POWER INDICATION LED



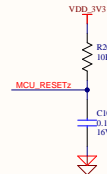
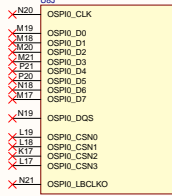
MCU_GENERAL



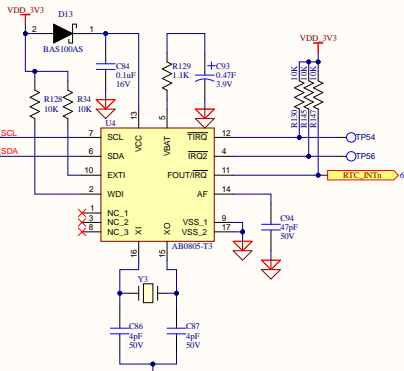
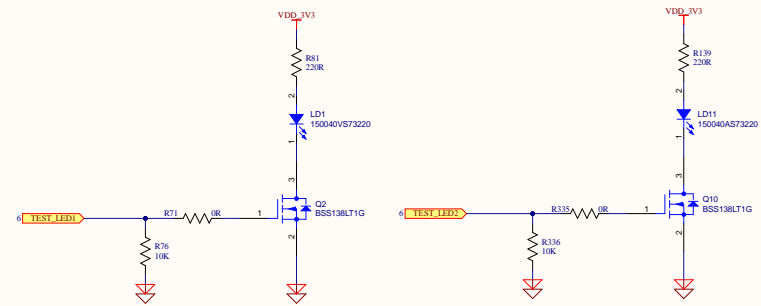
SoC MAIN DOMAIN



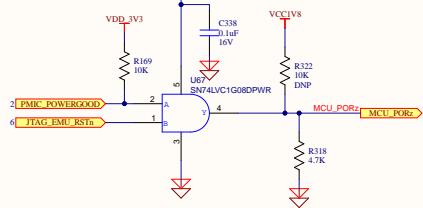
SOC OSPI INTERFACE



USER TEST LED'S

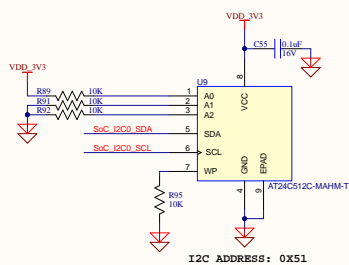
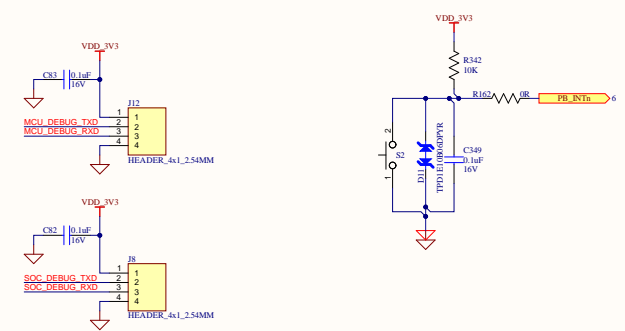


BOARD ID EEPROM

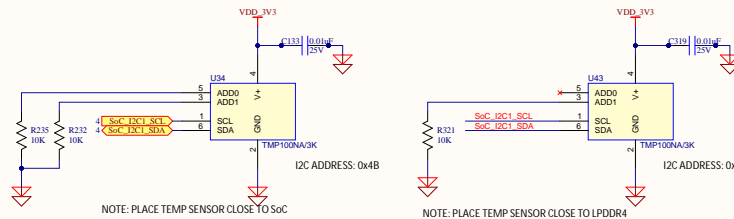


TEMPERATURE SENSORS

OFF PAGE CONNECTIONS



I2C ADDRESS: 0X51



NOTE: PLACE TEMP SENSOR CLOSE TO SoC

NOTE: PLACE TEMP SENSOR CLOSE TO LPDDR4

