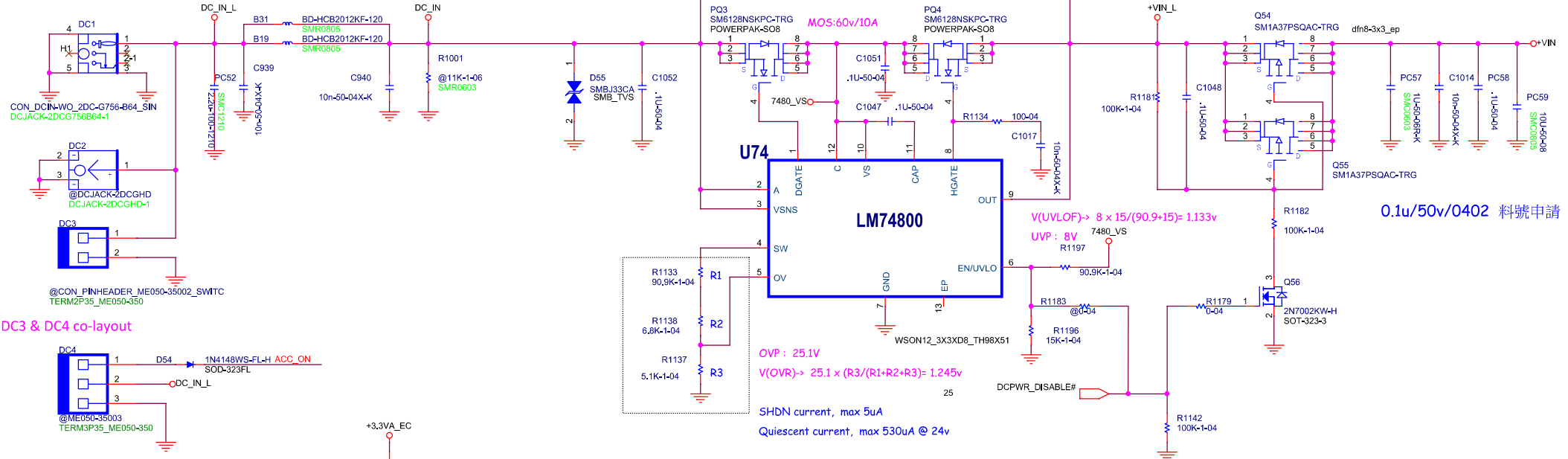


# Reverse Input Voltage Blocking

18R-100120-0TS4  
18-Bead, Bead, SMD, 120ohm, HCB2012KF-121T60, 6000mA, , 0805, TAI-TECH

DC IN: +9V ~ +24V



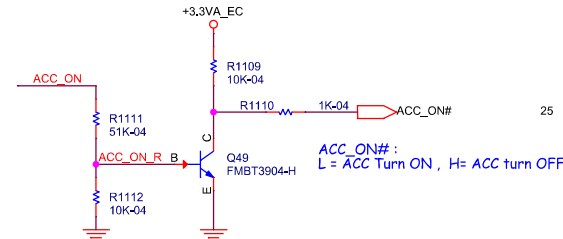
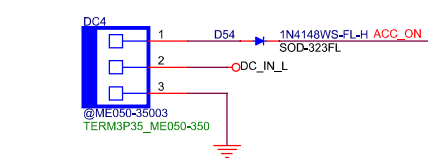
0.1u/50v/0402 料號申請

$V(UVLOF) \rightarrow 8 \times 15 / (90.9 + 15) = 1.133v$   
 $UVP: 8V$

$OVP: 25.1V$   
 $V(OVR) \rightarrow 25.1 \times (R3 / (R1 + R2 + R3)) = 1.245v$

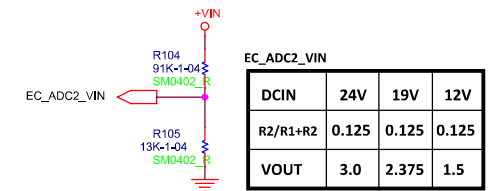
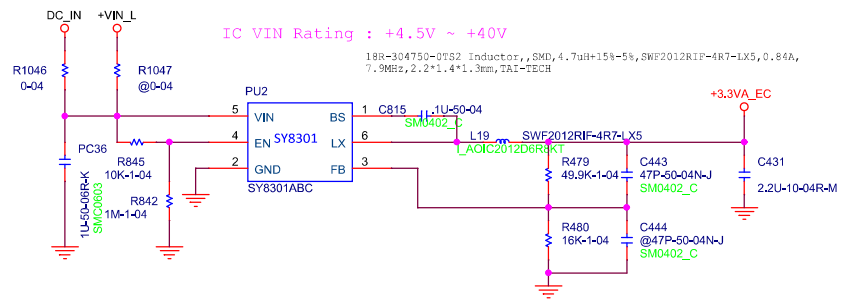
SHDN current, max 5uA  
 Quiescent current, max 530uA @ 24v

DC3 & DC4 co-layout



For Car ignition or Remote on

IC VIN Rating : +4.5V ~ +40V



DCIN	24V	19V	12V
R2/R1+R2	0.125	0.125	0.125
VOUT	3.0	2.375	1.5

+12V Battery Low:  
 Battery voltage 11.6V--> EC\_ADC2\_VIN = 1.45V