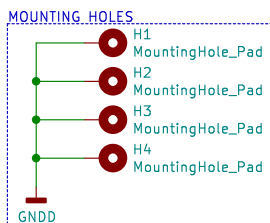
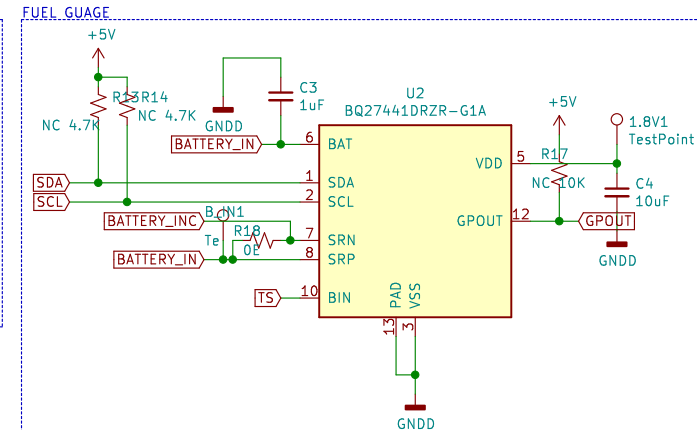
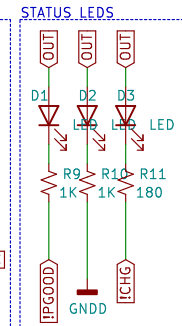


$ILIM = 1650/R_ILIM$
 $ISET = 885/R_ISET$



Author : SIMS

Sheet: /
File: SIMSPROJECT1.sch

Title:

Size: A4 Date: 2020-10-20 Rev: V01
KiCad E.D.A. kicad (5.1.7)-1 Id: 1/1