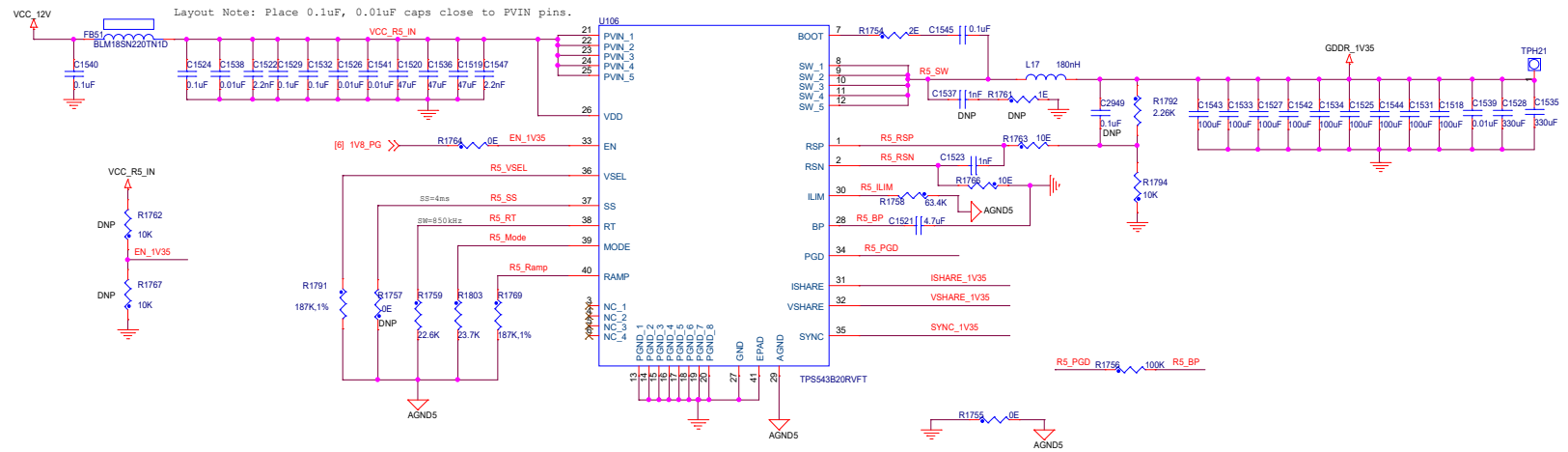


12V to 1.35V 25A Stacked Regulator 1



12V to 1.35V 25A Stacked Regulator 2

