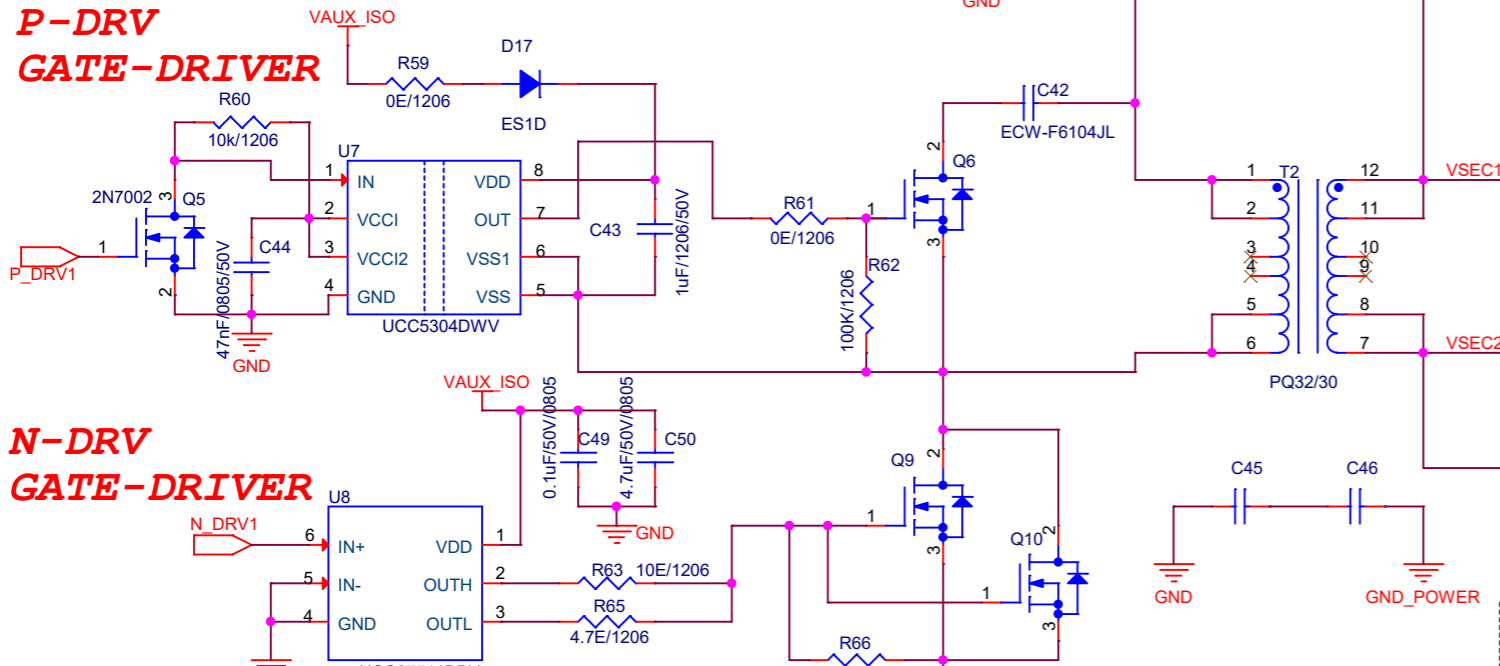


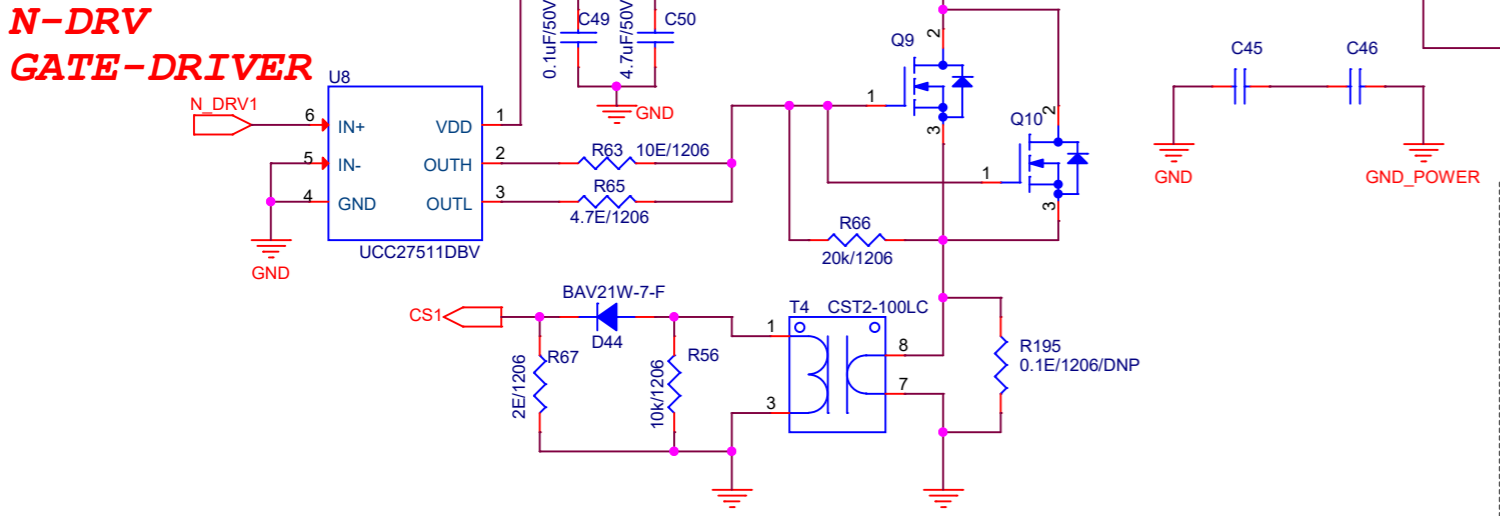
$V_{in}=50-138V$

ACFC - POWER SECTION-1

P-DRV GATE-DRIVER

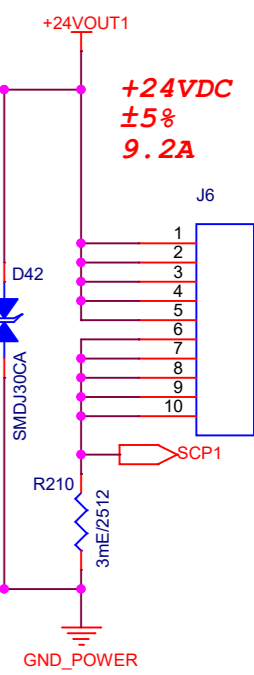


N-DRV GATE-DRIVER

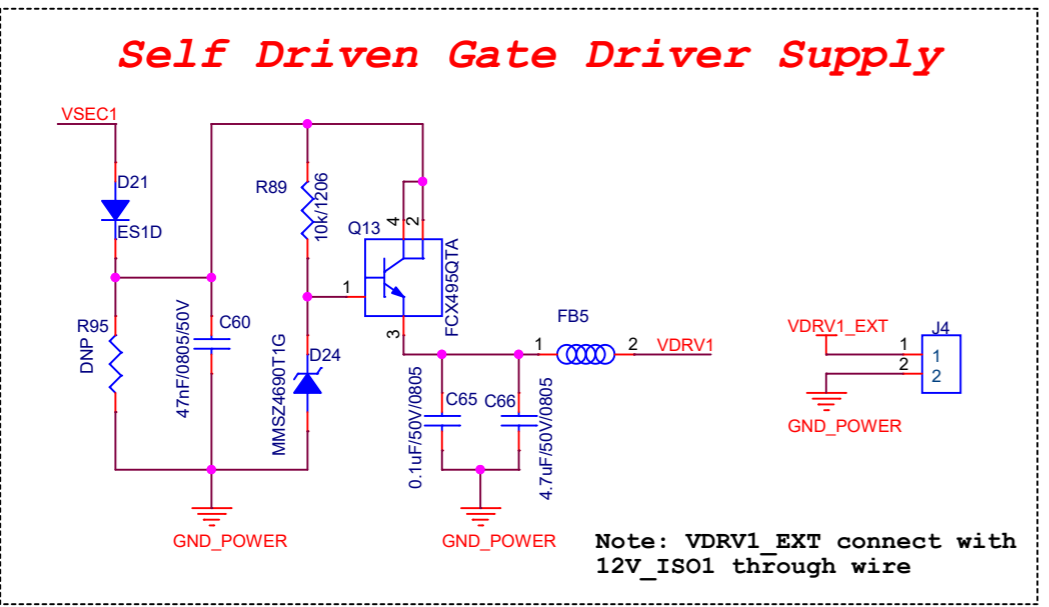


Output1 side Isolation voltage:
4.6kV / 50Hz / 60s

+24VDC
±5%
9.2A

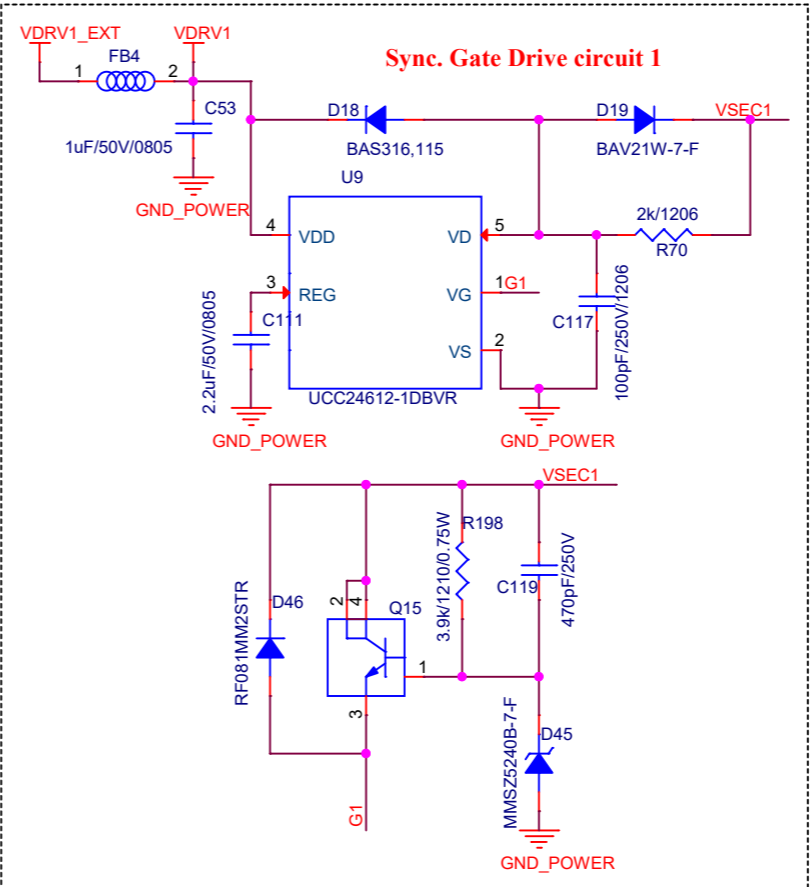


Self Driven Gate Driver Supply

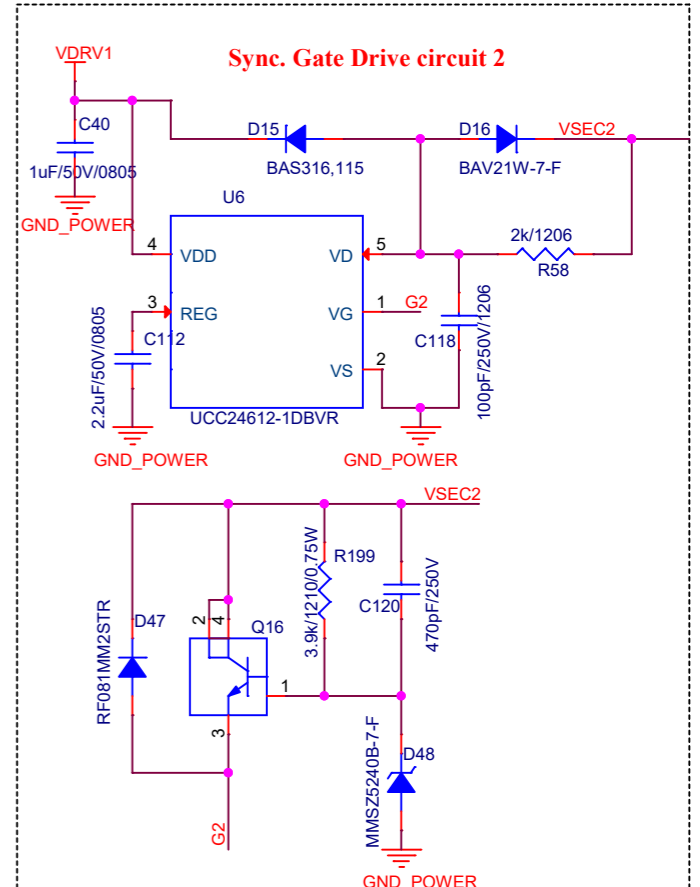


Note: VDRV1_EXT connect with 12V_ISO1 through wire

Sync. Gate Drive circuit 1



Sync. Gate Drive circuit 2



Note: To control turn-off timing / blanking of the SR MOSFET, you can add an RC network in series with the VDS (VD) sensing path of the UCC24612.

Title <Title>		
Size A3	Document Number <Doc>	Rev <RevCode>
Date:	Wednesday, February 04, 2026	Sheet 3 of 3