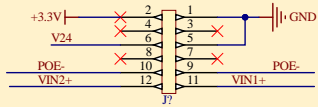
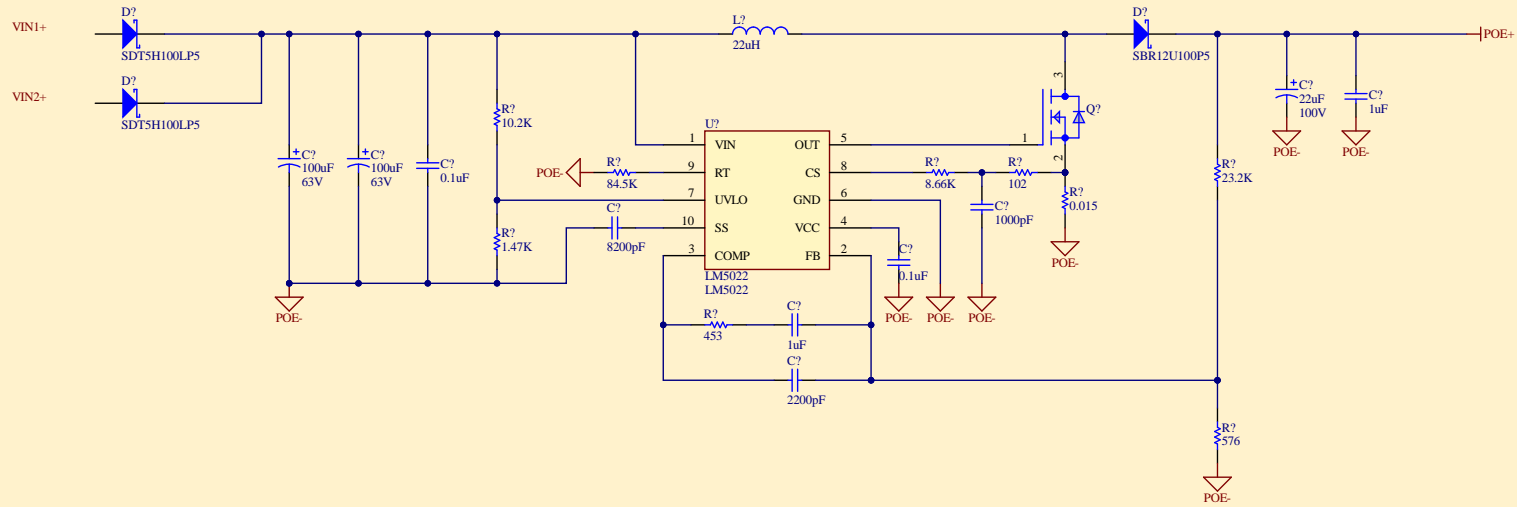


Daughter Board Interface Connector
 Installed on bottom side (1-2 swap)

Daughter Board Interface Connector



12-36VDC Boost Converter 52V Output 1.25A



Title			Edge Networks	
Size: B	Number:	Revision:	55 Broadway - #242 Greenlawn, NY 11740	
Date: 10/26/2020	Time: 5:07:09 PM	Sheet of	EDGE NETWORKS	
File: Sheet1.SchDoc				