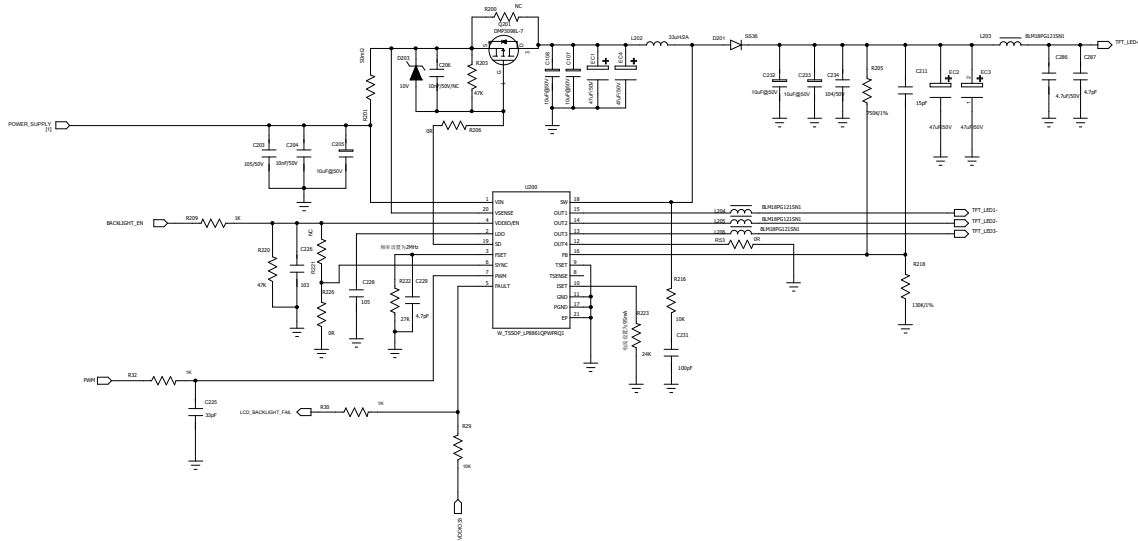
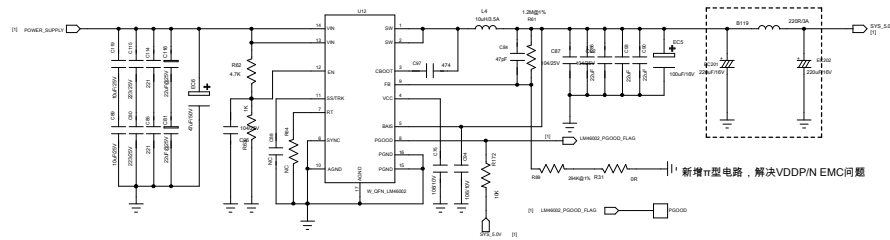
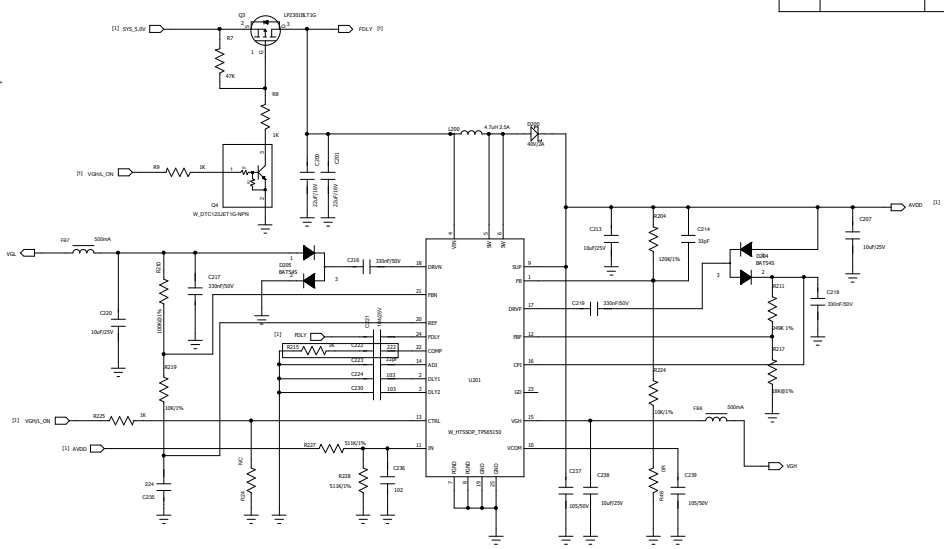


REVISION RECORD			
LN	ECO NO.	APPROVED	DATE

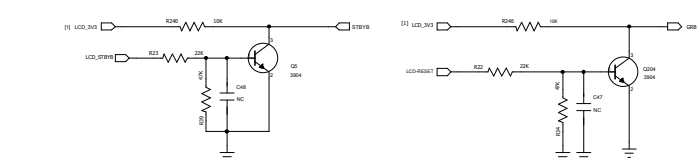
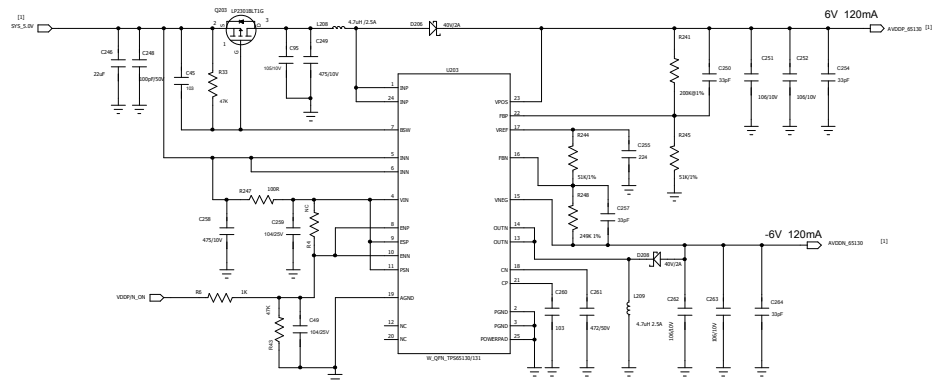
# Backlight



# VGH VHL



新增π型电路, 解决VDDP/N EMC问题



LCD3V3上电前, LCD\_STBYB/LCD\_RESET控制先拉高

DESIGN:	DATED:	CODE:	SIZE:	DRAWING NO.:	REV:
CHECKED:	DATED:				
QUALITY CONTROL:	DATED:				
RELEASED:	DATED:				

SCALE: SHEET: 4 1