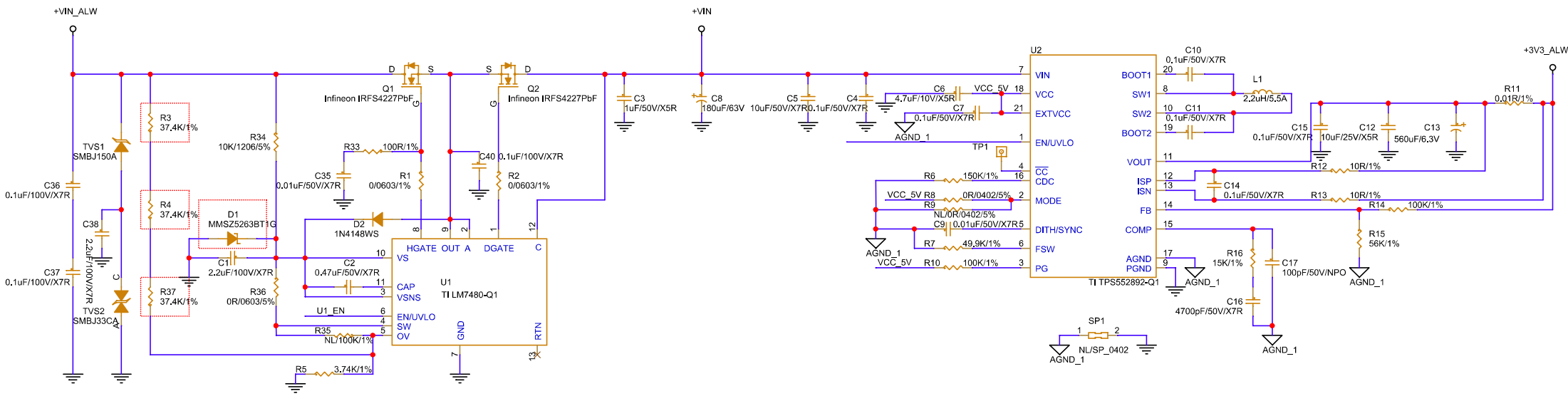


Buck +3V3_ALW $V_o = 3.3V$ $V_{in} = 12V/24V$ $FS = 400Khz$ $I_{out} = 1.2A$	Boost +3V3_ALW $V_o = 3.3V$ $V_{in} = 3V$ $FS = 400Khz$ $I_{out} = 1.2A$
--	--



+5V $V_o = 5V$ $V_{in} = 3.3V$ $FS = 3.5Mhz$ $I_{out} = 0.1A$
--

