

5

4

3

2

1

D

D

C

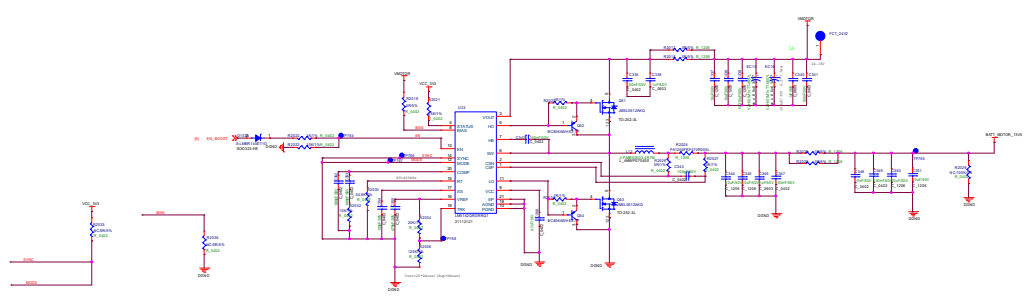
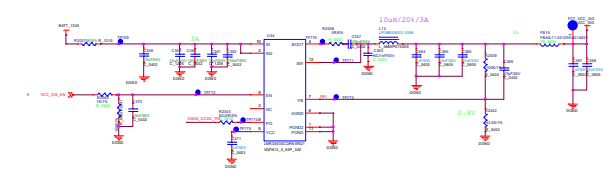
C

B

B

A

A



Rev	1
Date	
Author	
Checked	
Approved	

5

4

3

2

1