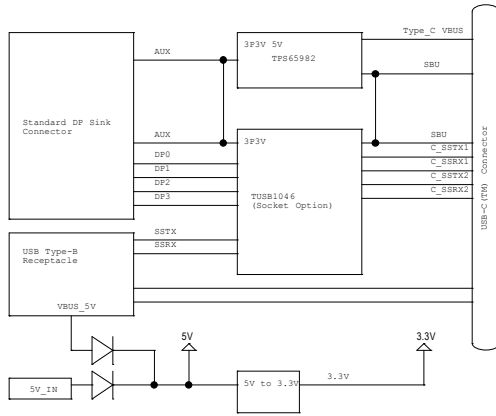
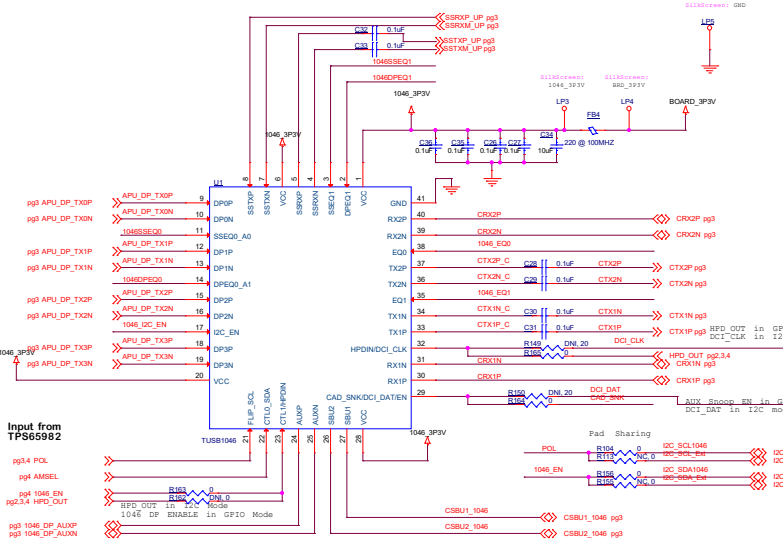


TUSB1046 - INT053A USB-C(TM) Enabler Board

REVA2



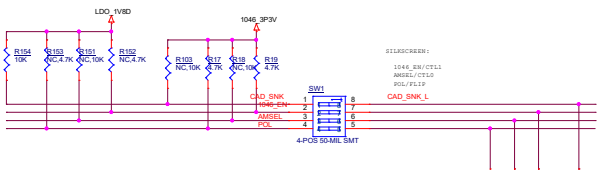
USB1046



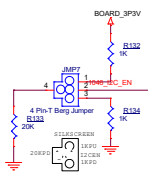
Input from TI86C92  
pg3 PCL  
pg4 AMSEL  
pg4 1046\_EN  
pg3,4 HPD\_OUT  
pg3 1046\_DP\_AUXP  
pg3 1046\_DP\_AUXN

ELIP PCL	OTLD ANSEL	CTLI EN	Mux Operation
X	LOW	LOW	POWER DOWN
LOW	LOW	HIGH	4-lane Orientation 1
HIGH	LOW	HIGH	4-lane Orientation 2
LOW	HIGH	HIGH	2-lane Orientation 1
HIGH	HIGH	HIGH	2-lane Orientation 2
LOW	HIGH	LOW	USB3.1 only Orientation 1
HIGH	HIGH	LOW	USB3.1 only Orientation 2

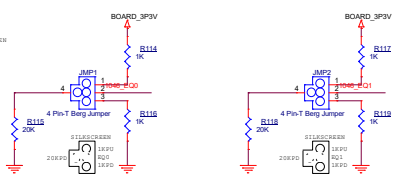
	DCI	non-DCI
23	CTLI/HPDIN	DP ENABLE in GPIO mode HPD in I2C mode
29	CAD_SNK/DCI_DAT	AUX Snoop EN in GPIO mode DCI_DAT in I2C mode
32	DCI_CLK	HPD in GPIO mode DCI_CLK in I2C mode



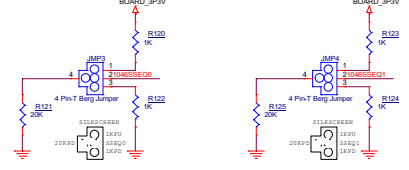
I2C\_EN Header Config



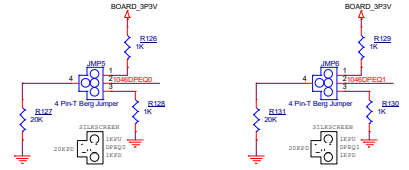
1046 EQ\* Config



1046 SSEQ\* Config



1046 DPEQ\* Config



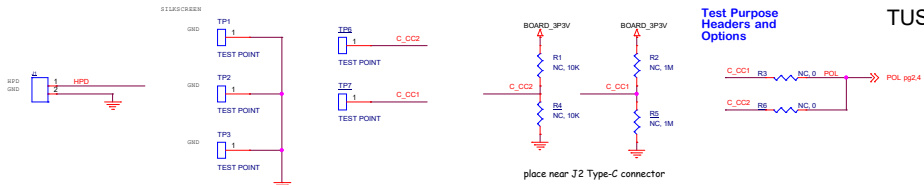
**TEXAS INSTRUMENTS**

INT053A - Type-C Enabler Board: USB1046

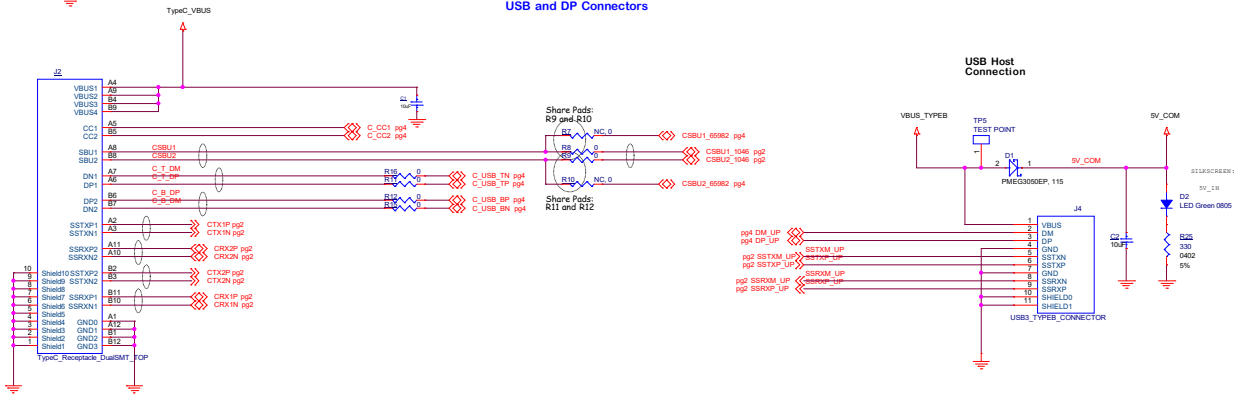
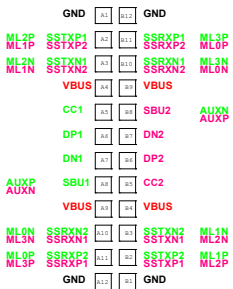
SIZE C	DWG NO.
SCALE: NONE	Monday, October 03, 2016

Sheet 2 of 5

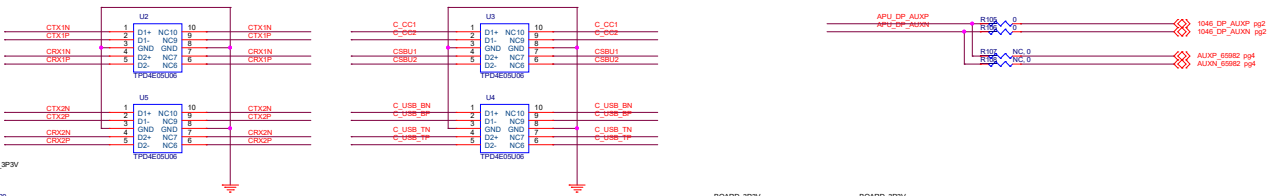
Test Purpose Headers and Options



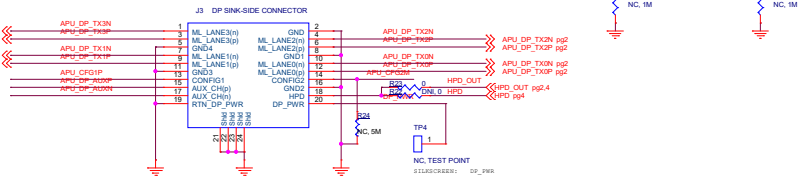
Type-C Connector and Source Pin Mapping



ESD Components



DisplayPort Source Connection



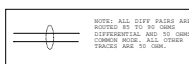
NOTES: ALL DIFF PAIRS ARE ROUTED AS TO SIGNAL DIFFERENTIAL AND TO GND OR BOTH WHER. ALL OTHER TRACKS ARE TO GND.

**TEXAS INSTRUMENTS**

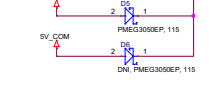
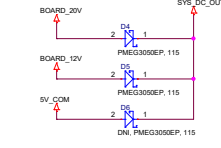
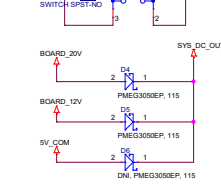
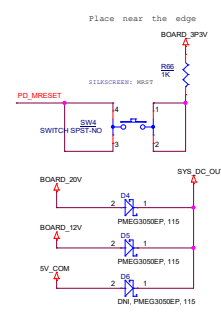
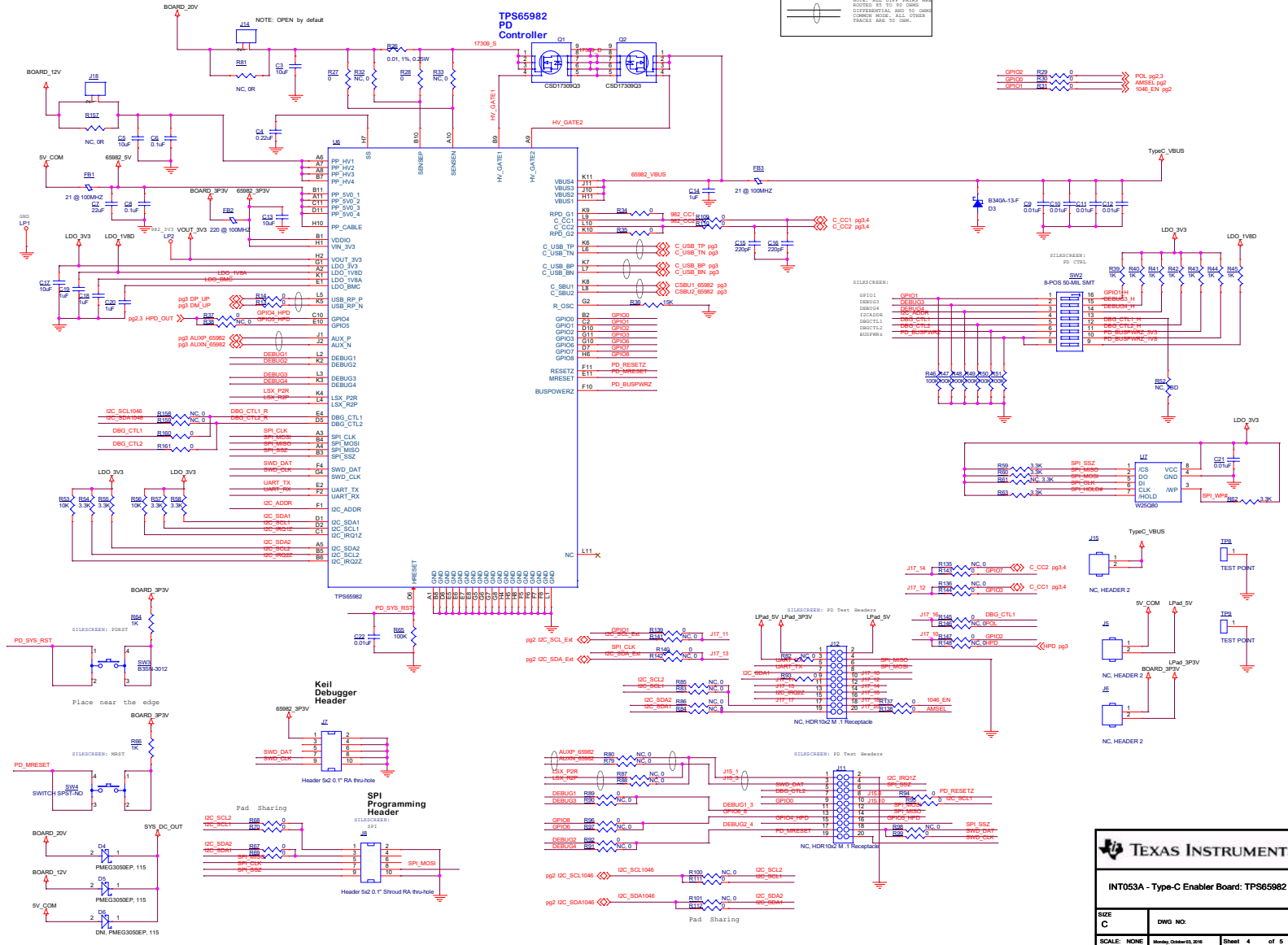
INT053A - USB-C Enabler Board: Connectors

SIZE <b>C</b>	DWG NO.
SCALE: NONE	Wednesday, September 24, 2016 Sheet 3 of 5

# USB1046 - INT053A USB-C(TM) Enabler Board



NOTE: ALL DIFF PADS AND ROUTES SHOULD BE USED. CHANGES TO THIS BOARD WILL BE MADE TO ALL OTHER BOARD REV'S.



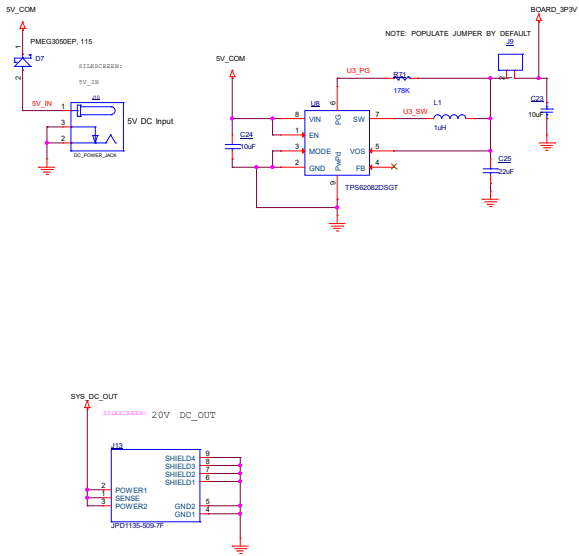
**TEXAS INSTRUMENTS**


**INT053A - Type-C Enabler Board: TPS65982**

SIZE C	DWG NO.:	
SCALE: NONE	Monday, October 03, 2016	Sheet 4 of 5

# TUSB1046 - INT053A USB-C(TM) Enabler Board

## Power



 <b>TEXAS INSTRUMENTS</b>	
<b>INT053A - Type-C Enabler Board: POWER</b>	
SIZE C	DWG NO.
SCALE: NONE	Wednesday, September 28, 2016   Sheet 5 of 5