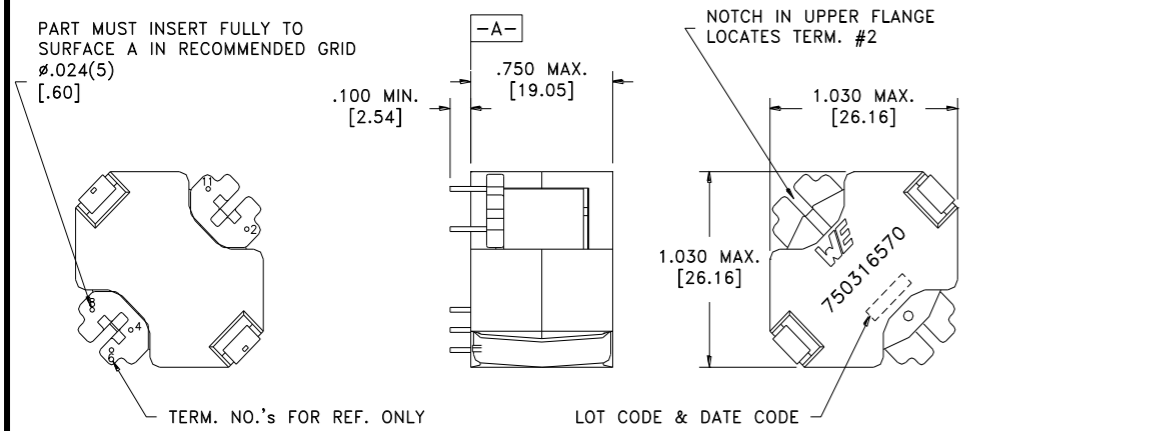


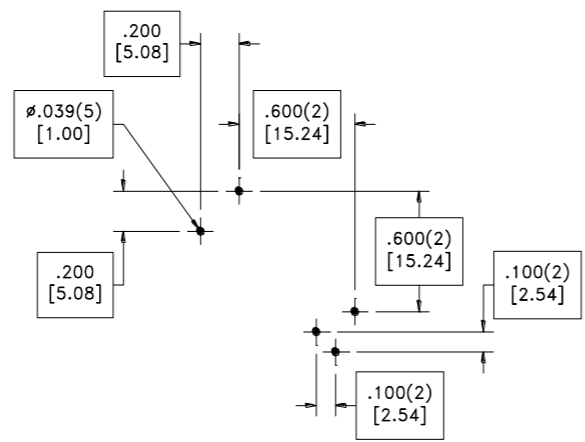
CUSTOMER TERMINAL	RoHS	LEAD(Pb)--FREE
Sn 96%, Ag 4%	Yes	Yes

more than you expect

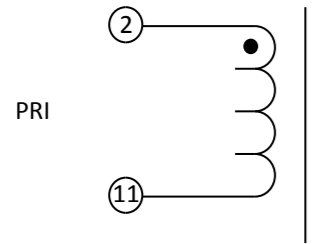


ELECTRICAL SPECIFICATIONS @ 25° C unless otherwise noted:

PARAMETER	TEST CONDITIONS	VALUE
D.C. RESISTANCE	2-11 @20°C	0.230 ohms $\pm 10\%$
INDUCTANCE	2-11 100kHz, 100mV, Ls	200 μ H $\pm 10\%$
INDUCTANCE	2-11 100kHz, 100mV, 6ADC, Ls	200 μ H $\pm 10\%$
SATURATION CURRENT	2-11 20% rolloff from initial	9A
DIELECTRIC	2-core 625VAC, 1 second	500VAC, 1 minute



RECOMMENDED P.C. PATTERN, COMPONENT SIDE



GENERAL SPECIFICATIONS:

OPERATING TEMPERATURE RANGE: -40°C to +125°C including temp rise.

Safety standard undefined.

Wire insulation & RoHS status not affected by wire color. Wire insulation color may vary depending on availability.

DFM	SP	Packaging Specifications Method: Tray PKG-0239	 CONVENTION PLACEMENT	Tolerances unless otherwise specified: Angles: $\pm 1^\circ$ Decimals: $\pm .005$ [.13] Fractions: $\pm 1/64$ Footprint: $\pm .001$ [.03]	DRAWING TITLE INDUCTOR	PART NO. 750316570
DATE	11/1/2016					
ENG	EJK					
REV.	00					
DATE	11/9/2016	www.we-online.com/midcom		This drawing is dual dimensioned. Dimensions in brackets are in millimeters.		SPECIFICATION SHEET 1 OF 1