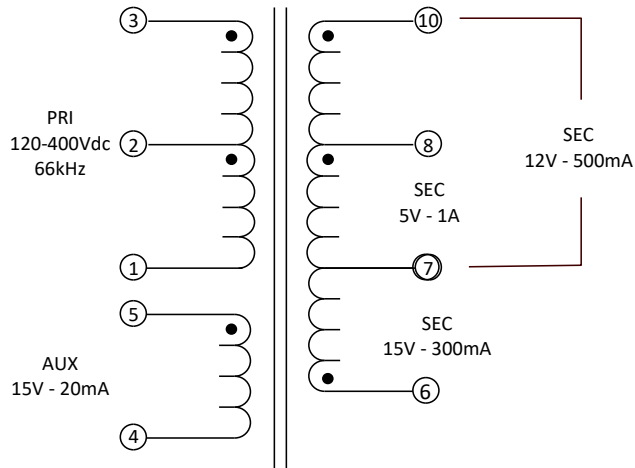
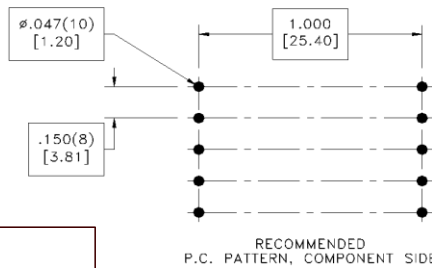
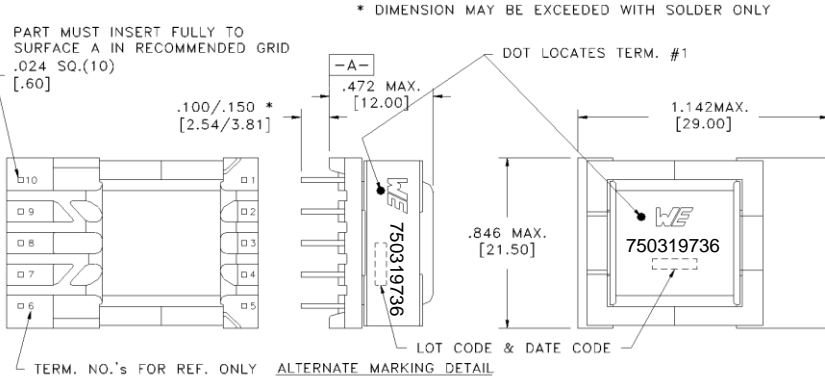


CUSTOMER TERMINAL	RoHS	LEAD(Pb)--FREE
Sn 96%, Ag 4%	Yes	Yes



**ELECTRICAL SPECIFICATIONS @ 25° C unless otherwise noted:**

PARAMETER	TEST CONDITIONS	VALUE
D.C. RESISTANCE	1-3 @20°C	1.375 ohms ±10%
D.C. RESISTANCE	4-5 @20°C	0.134 ohms ±10%
D.C. RESISTANCE	6-7 @20°C	0.062 ohms ±10%
D.C. RESISTANCE	7-8 @20°C	0.024 ohms max.
D.C. RESISTANCE	8-10 @20°C	0.040 ohms max.
INDUCTANCE	1-3 10kHz, 100mV, Ls	860.0µH ±10%
SATURATION CURRENT	1-3 20% rolloff from initial	1.1A
LEAKAGE INDUCTANCE	1-3 tie(1+5, 6+7+8+10),100kHz, 100mV, Ls	10µH typ., 24µH max.
DIELECTRIC	3-10 tie(1+5), 3750VAC, 1 second	
DIELECTRIC	3-5 625VAC, 1 second	
TURNS RATIO	(3-1):(6-7)	9.78:1
TURNS RATIO	(3-1):(8-7)	29.33:1
TURNS RATIO	(3-1):(10-7)	11:1
TURNS RATIO	(3-1):(5-4)	9.78:1



**GENERAL SPECIFICATIONS:**

OPERATING TEMPERATURE RANGE: -40°C to +125°C including temp rise.

Designed to comply with the following requirements as defined by IEC62368-1, EN62368-1, UL62368-1/CSA62368-1 and AS/NZS62368.1:

- Reinforced insulation for a primary circuit at a working voltage of 265Vrms, 400Vpeak, OVC II, Pollution Degree 2.

Wire insulation & RoHS status not affected by wire color. Wire insulation color may vary depending on availability. Marking method, font and color may vary on preproduction samples.

DFM	Packaging Specifications	 CONVENTION PLACEMENT	Tolerances unless otherwise specified: Angles: ±1° Decimals: ±.005 [.13] Fractions: ±1/64 Footprint: ±.001 [.03]	DRAWING TITLE	PART NO.
DATE	Method: Tray		This drawing is dual dimensioned. Dimensions in brackets are in millimeters.	<b>TRANSFORMER</b>	<b>750319736</b>
ENG	PLP	PKG-0935			
REV.	02				
DATE	3/2/2022	www.we-online.com/midcom			SPECIFICATION SHEET 1 OF 1