

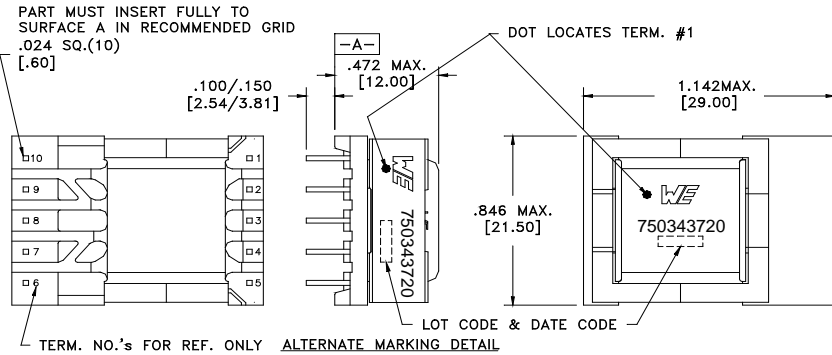
CUSTOMER TERMINAL	RoHS	LEAD(Pb)--FREE
Sn 96%, Ag 4%	Yes	Yes

more than you expect

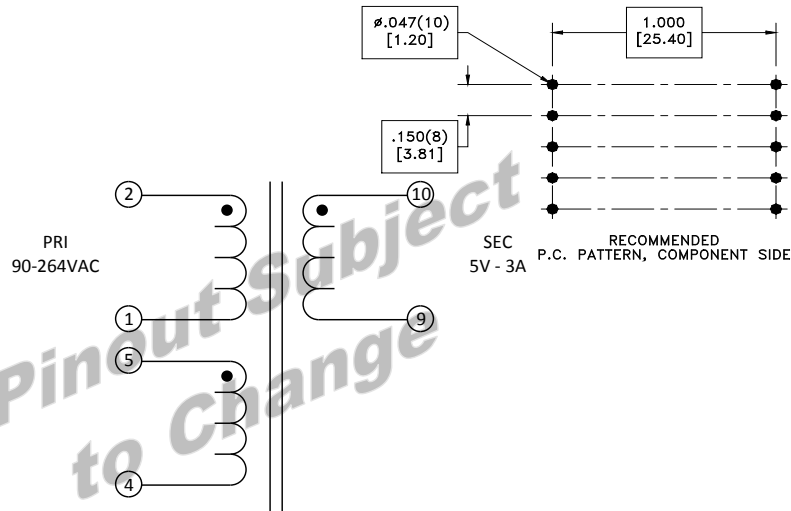


ELECTRICAL SPECIFICATIONS @ 25° C unless otherwise noted:

PARAMETER	TEST CONDITIONS	VALUE
D.C. RESISTANCE	2-1 @20°C	ohms max.
D.C. RESISTANCE	4-5 @20°C	ohms max.
D.C. RESISTANCE	9-10 @20°C	ohms max.
INDUCTANCE	2-1 10kHz, 100mV, Ls	mH ±10%
LEAKAGE INDUCTANCE	2-1 tie(4+5+9+10),100kHz, 100mV, Ls	___ μH typ., ___ μH max.
DIELECTRIC	2-9 tie(2+4), 3750VAC, 1 second	
URNS RATIO	(2-1):(5-4)	7.7:1, ±1%
URNS RATIO	(2-1):(10-9)	15.4:1, ±1%



TERM. NO.'s FOR REF. ONLY ALTERNATE MARKING DETAIL



GENERAL SPECIFICATIONS:

OPERATING TEMPERATURE RANGE: -40°C to +125°C including temp rise.
Safety standard undefined.

Preliminary

Wire insulation & RoHS status not affected by wire color. Wire insulation color may vary depending on availability.

DFM	Packaging Specifications		Tolerances unless otherwise specified: Angles: ±1° Decimals: ±.005 [.13] Fractions: ±1/64 Footprint: ±.001 [.03]	DRAWING TITLE	PART NO.
DATE	Method: Tray		This drawing is dual dimensioned. Dimensions in brackets are in millimeters.	TRANSFORMER	750343720
ENG	PKG-0935				
REV.	00				
DATE	8/23/2017	www.we-online.com/midcom			SPECIFICATION SHEET 1 OF 1