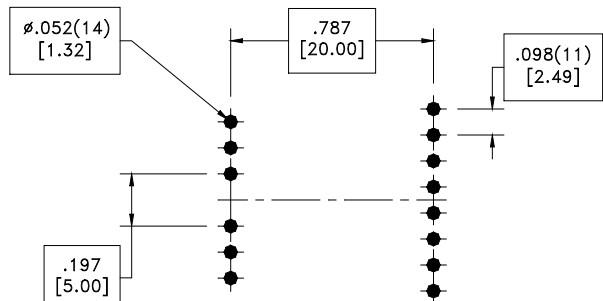
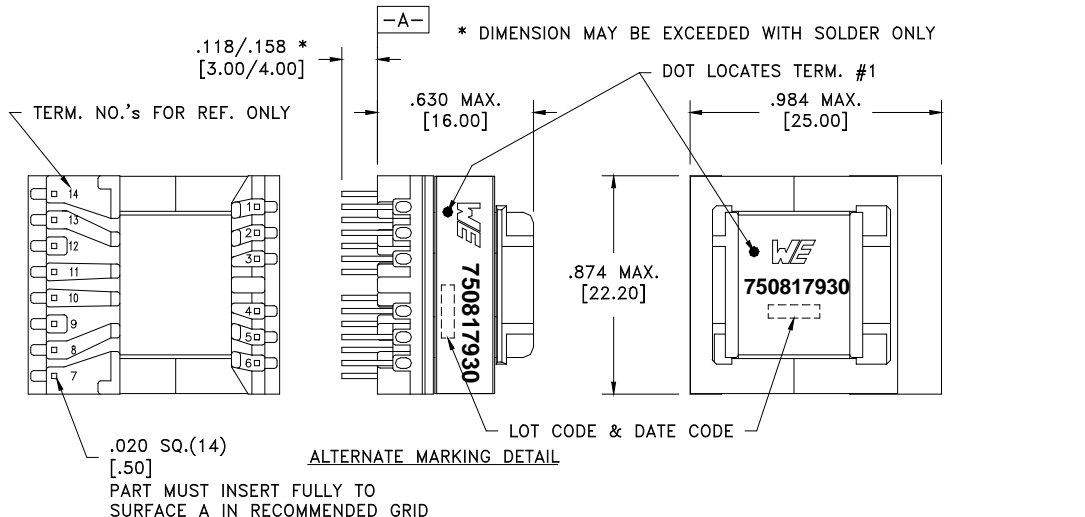


CUSTOMER TERMINAL	RoHS	LEAD(Pb)--FREE
Sn 96%, Ag 4%	Yes	Yes

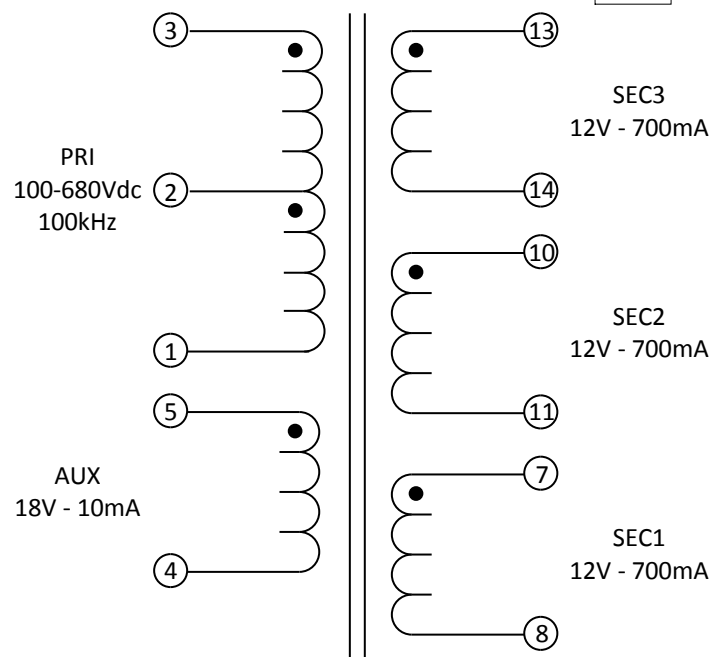
more than you expect



ELECTRICAL SPECIFICATIONS @ 25° C unless otherwise noted:



PARAMETER	TEST CONDITIONS	VALUE
D.C. RESISTANCE	3-1 @20°C	0.500 ohms ±10%
D.C. RESISTANCE	4-5 @20°C	0.125 ohms ±10%
D.C. RESISTANCE	7-8 @20°C	0.040 ohms ±20%
D.C. RESISTANCE	10-11 @20°C	0.040 ohms ±20%
D.C. RESISTANCE	13-14 @20°C	0.040 ohms ±20%
INDUCTANCE	3-1 10kHz, 100mV, Ls	350µH ±10%
SATURATION CURRENT	3-1 20% rolloff from initial	__mA
LEAKAGE INDUCTANCE	3-1 tie(4+5, 7 thru 14), 100kHz, 100mV, Ls	__µH typ., __µH max.
DIELECTRIC	1-14 tie(3+4, 8+10, 11+13), 3750VAC, 1 second	3000VAC, 1 minute
DIELECTRIC	7-11 3000VAC, 1 second	
DIELECTRIC	11-13 3000VAC, 1 second	
DIELECTRIC	7-13 3000VAC, 1 second	
DIELECTRIC	1-5 625VAC, 1 second	
URNS RATIO	(3-2):(2-1)	1:1, ±1%
URNS RATIO	(3-1):(5-4)	4.67:1, ±1%
URNS RATIO	(3-1):(7-8)	7:1, ±1%
URNS RATIO	(3-1):(10-11)	7:1, ±1%
URNS RATIO	(3-1):(13-14)	7:1, ±1%



GENERAL SPECIFICATIONS:

OPERATING TEMPERATURE RANGE: -40°C to +125°C including temp rise.

Designed to comply with the following requirements as defined by IEC60950-1, EN60950-1, UL60950-1/CSA60950-1 and AS/NZS60950.1:

- Reinforced insulation for a primary circuit at a working voltage of 480Vrms, 680Vpeak, Overvoltage CategoryII.

Wire insulation & RoHS status not affected by wire color. Wire insulation color may vary depending on availability.

Preliminary

DFM	Packaging Specifications	<p>CONVENTION PLACEMENT</p>	<p>Tolerances unless otherwise specified: Angles: ±1° Decimals: ±.005 [.13] Fractions: ±1/64 Footprint: ±.001 [.03]</p>	<p>DRAWING TITLE</p> <p>TRANSFORMER</p>	<p>PART NO.</p> <p>750817930</p>
DATE	Method: Tray				
ENG	JLV	www.we-online.com/midcom			
REV.	00				
DATE	10/7/2014				