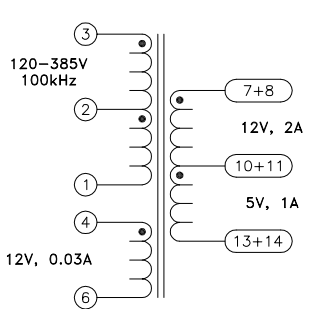
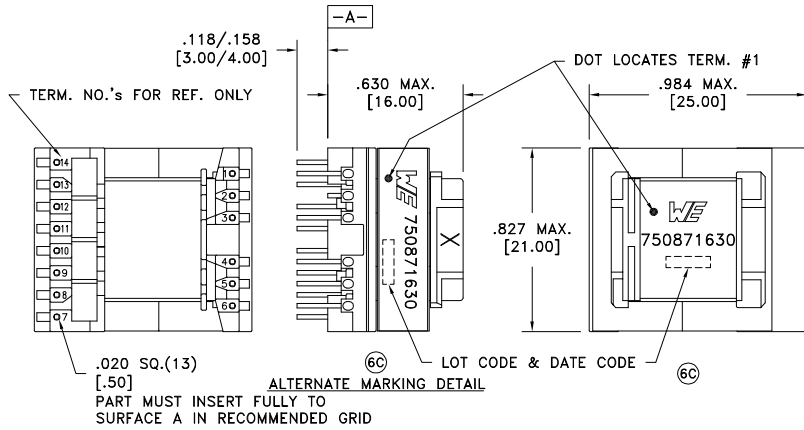
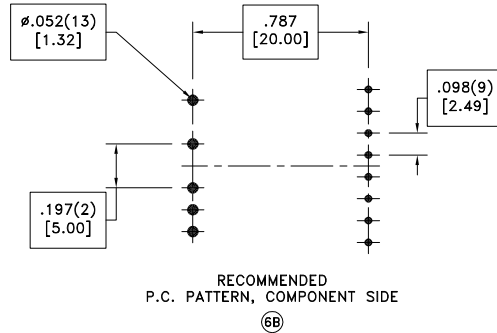


CUSTOMER TERMINAL	RoHS	LEAD(Pb)-FREE
Sn96%, Ag4%	Yes	Yes

more than you expect



Application of the transformer allows for the leadwires between terminals 7&8, 10&11, 13&14 to solder bridge.



ELECTRICAL SPECIFICATIONS @ 25°C unless otherwise noted:

PARAMETER	TEST CONDITIONS	VALUE
D.C. RESISTANCE	1-3 @20°C	1.30 ohms max.
D.C. RESISTANCE	4-6 @20°C	1.50 ohms max.
D.C. RESISTANCE	7-14 tie(7+8, 13+14), @20°C	0.036 ohms max.
D.C. RESISTANCE	10-14 tie(10+11, 13+14), @20°C	0.020 ohms max.
INDUCTANCE	1-3 10kHz, 100mVAC, Ls	500uH ±10%
LEAKAGE INDUCTANCE	1-3 tie(4+6+7+8+10+11+13+14), 10kHz, 100mVAC, Ls	25uH max.
DIELECTRIC	1-7 tie(3+4, 7+8), 4800VAC, 1 second	4000VAC, 1 minute
DIELECTRIC	1-6 1800VAC, 1 second	1500VAC, 1 minute
URNS RATIO	(3-1):(4-6)	7.18:1, ±2%
URNS RATIO	(3-1):(7-13), tie(7+8, 13+14)	7.18:1, ±2%
URNS RATIO	(3-1):(10-13), tie(10+11, 13+14)	15.8:1, ±2%

REV.	DATE	Packaging Specifications	CONVENTION PLACEMENT
6C	10/13	Method: Tray PKG-0736 www.we-online.com/midcom	
6B	12/10		
6A	2/10	SEE REVISION SHEET FOR	REVISION LEVEL

Tolerances unless otherwise specified:  
 Angles: ±1°  
 Fractions: ±1/64  
 Decimals: ±.005 [.13]  
 Footprint: ±.001 [.03]

This drawing is dual dimensioned. Dimensions in brackets are in millimeters.

DRAWING TITLE  
**TRANSFORMER**

eiSos p/n: 750871630

PART NO.  
**750871630**

SPECIFICATION SHEET 1 OF 1