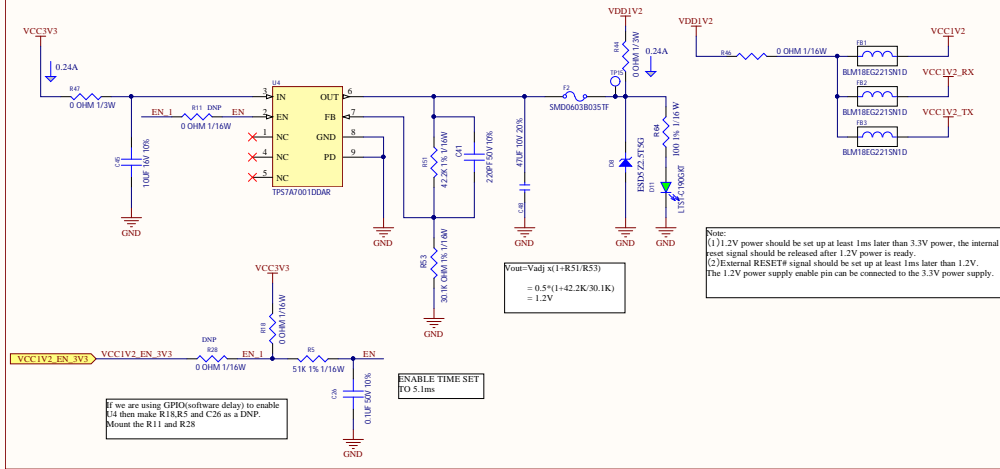
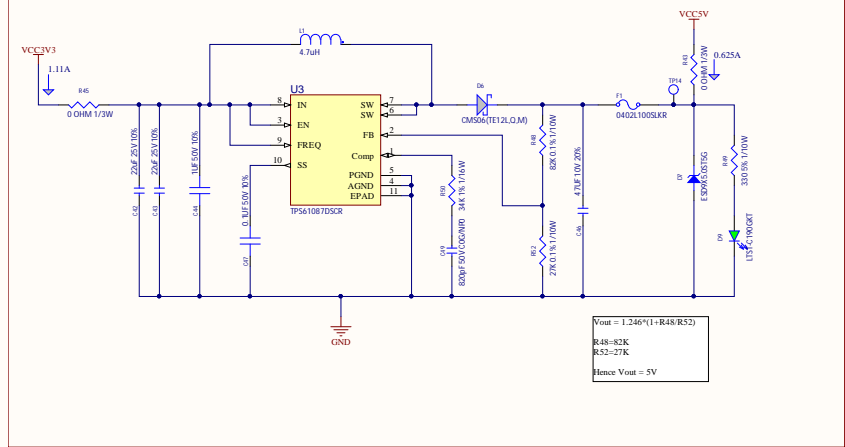


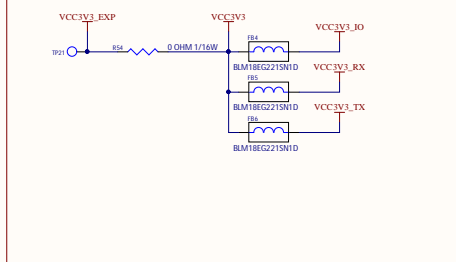
VCC3V3 TO VCC1V2 LDO



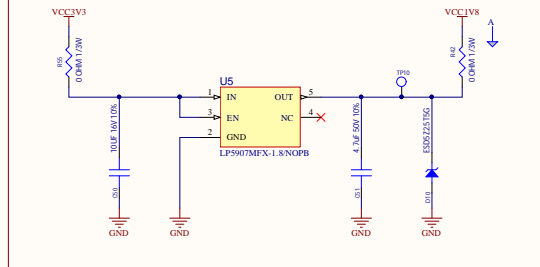
5V BOOST CIRCUIT



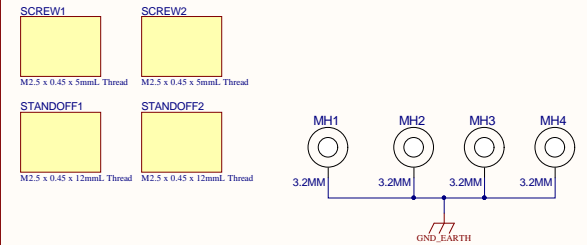
VCC3V3



VCC3V3 TO VCC1V8 LDO



MOUNTING HOLE & STANDOFF



FIDUCIALS

