

Freq=285.6KHz
 CDT=82.4ns
 tBLANK=75ns
 Class 4

PRODUCT INFORMATION(1)	STATUS	DUTY CYCLE	FEATURE	MARKING
TFS23754PWP	Active	0 ~ 75%	PPD	TFS23754
		35 / 4.5	15 / 6.5	
		ON / HYST.	ON / HYST.	
		CONV. LVL	CONV. LVL	

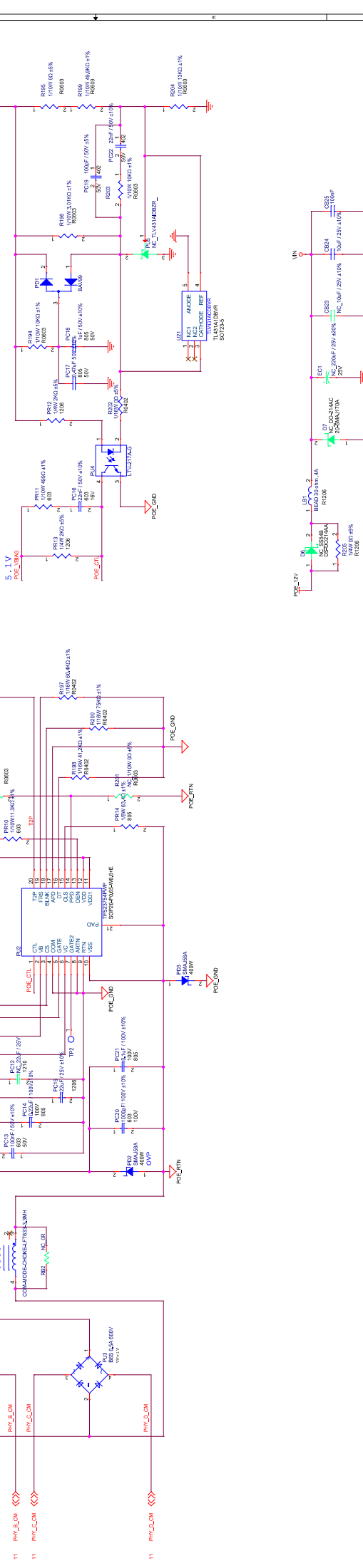


Table 1. Class Resistor Selection

CLASS	POWER AT PD		RESISTOR (Ω)	NOTES
	MINIMUM (W)	MAXIMUM (W)		
0	0.44	13.0	1270	Minimum may be reduced by pulsed loading. Serves as a catch-all default class.
1	0.44	3.84	243	
2	3.84	6.49	137	
3	6.49	13.0	80.9	
4	13.0	25.5	63.4	Not allowed prior to IEEE 802.3at. Use to indicate a Type 2 PD (high power) device per IEEE 802.3at.

EDIMAX 群 興 網 絡 科 技 有 限 公 司
 EDIMAX Technology Co., Ltd.
 Project Code : -cslap case-
 Product Name :
 Model Number :
 Document Number : EW-7700DP-V1.0
 Rev :
 Date : 2009.08.18